

Installation and Operating Instructions

Models:

GD-2

GD-3

As part of Parmco Appliances commitment to improving and updating product ranges, we reserve the right to alter, change and update technical specifications and appearance attributes of all Parmco Appliances products. E&OE.

727626032017



p: 09 573 5678
 f: 09 573 5699
 e: sales@parmco.co.nz
 w: www.parmco.co.nz



Parmco Appliances extended 3 year warranty

The Warranty:

- This appliance is intended for domestic use in the owners' home. Use of the appliance for commercial purposes will limit the warranty period (please see Parmco website for commercial details).
- Subject to the terms and conditions contained within this warranty, if the product is not of Acceptable Quality (as defined in the Consumer Guarantees Act) within 3 years of the date of original purchase, then Parmco Sales undertakes to repair or, at its sole discretion, replace the product.
- The warranty does not cover the costs of transport, mileage or travelling time if the product is located beyond 30km of a recognised Service Agent.
- This warranty is offered as an extra benefit, and does not affect other legal rights, which can not be modified or excluded by agreement.
- This warranty only applies to goods supplied and installed in the North and South Islands of New Zealand.
- The provisions of this warranty are in addition to the rights and remedies available to consumers under the Consumer Guarantees Act 1993.

Product _____ Date of purchase _____
 Serial Number _____
 Dealer / Retailers Name _____

Please retain this Warranty card together with receipt or other proof of purchase date when seeking service during the warranty period

Please contact Parmco at 09 573 5678 if your appliance needs servicing under warranty. Please have your model number and proof of purchase ready. Warranty repairs must be authorized by Parmco.



The Warranty is not valid:

- If the product is not installed and operated in accordance with the operating instructions.
- If the product is not installed to comply with the electrical, gas, plumbing and other Regulations and Codes of Practice in New Zealand.
- If the product is operated on voltages or frequencies outside the normal range for domestic appliances in New Zealand.
- If the product is not used in normal domestic use, or if it is used in a business as defined in the Consumer Guarantees Act.
- If any serial number has been removed or defaced.
- If proof of date of purchase is not supplied, except at the sole discretion of Parmco Sales. Proof of purchase can be for the product itself, or if installed with a kitchen or house then proof of purchase can be from a Parmco reseller of products supplied by Parmco.
- If the products are purchased in a second hand condition from other parties (including but not limited to TradeMe, Sella, etc.)

Liability under this warranty will not be accepted for:

- Wear and tear caused by normal domestic use of the product.
- Damage in transport.
- Damage caused to the product by neglect, abuse, negligence, wilful act or misuse.
- Any costs associated with the repair, replacement, removal or reinstallation of products installed in a damaged condition.
- Any defect caused by accident, misuse, neglect, tampering with or unauthorised modifications of the appliance or any attempt at internal adjustment or repair by any person other than an Authorised Service Agent.
- Service calls that relate principally to the following:
 - Instruction on how to use the product.
 - Repair or replacement of house fuses, electrical wiring, gas fitting or plumbing.
 - Normal or scheduled maintenance including blocked filters or ducting.
 - Consumable items such as light bulbs.
 - Any damage to hobs caused by spills when cooking.
 - Any breakage or damage of glass items.
- Any damage caused by non recommended product used for cleaning, maintaining, lubricating or similar.
- Any aspect relating to the installation of the product, or damage caused during installation including blocked access for repair.
- Any third party (including reseller) or consequential loss or damage (direct or indirect) however arising.



PARMCO

Dear Valued Customer,

Thank you and congratulations on purchasing your new Parmco appliance.

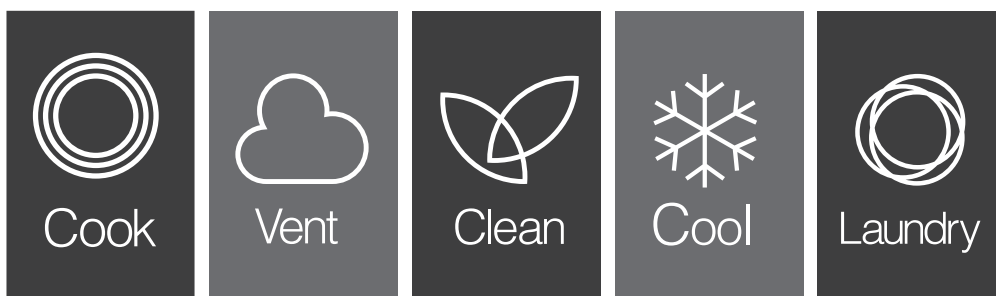
All Parmco products are made to the highest quality and design standards. We are sure you will enjoy your new appliance.

As a note, please read through these instructions carefully. These will assist you in gaining a complete understanding of the functions and features offered by your appliance. Please take special note of all detailed technical information and installation instructions. It is essential that you follow these instructions to ensure the safety and reliability of this appliance.

Furthermore, not using appropriate personnel to install this appliance may affect any future warranty claims lodged, so please check with Parmco Appliances before any installation is carried out.

We hope you enjoy your new appliance. If you would like to find out more about this product or any other products in Parmco's extensive range, visit us online at www.parmco.co.nz.

Regards,
The Parmco Team



INDEX

	PAGE
Important Safety Information	
For Your safety	4
Product Description	5
Operating Instructions	6
Installation Instructions	
Removal of old unit	7
Installation of mounting assembly	8
Connecting disposer to mount assembly	9
Attaching discharge elbow	9
Dishwasher connection	10
Electrical connections	10
Typical installations	11
Maintenance	12
Troubleshooting	13



IMPORTANT NOTE

It is the law in New Zealand that this appliance must be installed by authorised persons. The installation must comply with all the appropriate New Zealand Standards and Regulatory Requirements with particular reference to the New Zealand Electrical Standards.

Any attempt to install this or any other Parmco product without an authorised person could result in damage to the product and a possible health hazard. Not having an authorised person install this appliance may result in all associated warranties from Parmco Appliances being null and void.

IMPORTANT SAFETY INFORMATION

We recommend that for best performance and to extend the life of your appliance you read the instructions in this owner's manual thoroughly before using your new appliance. It will provide you with all the information you need to ensure its safe installation, proper use and maintenance. Retain this owner's manual for future reference.

FOR YOUR SAFETY

Note: This Food Waste Disposer has been designed to operate with your appropriate household current exclusively. Using any other voltage or Hz adversely affects performance.

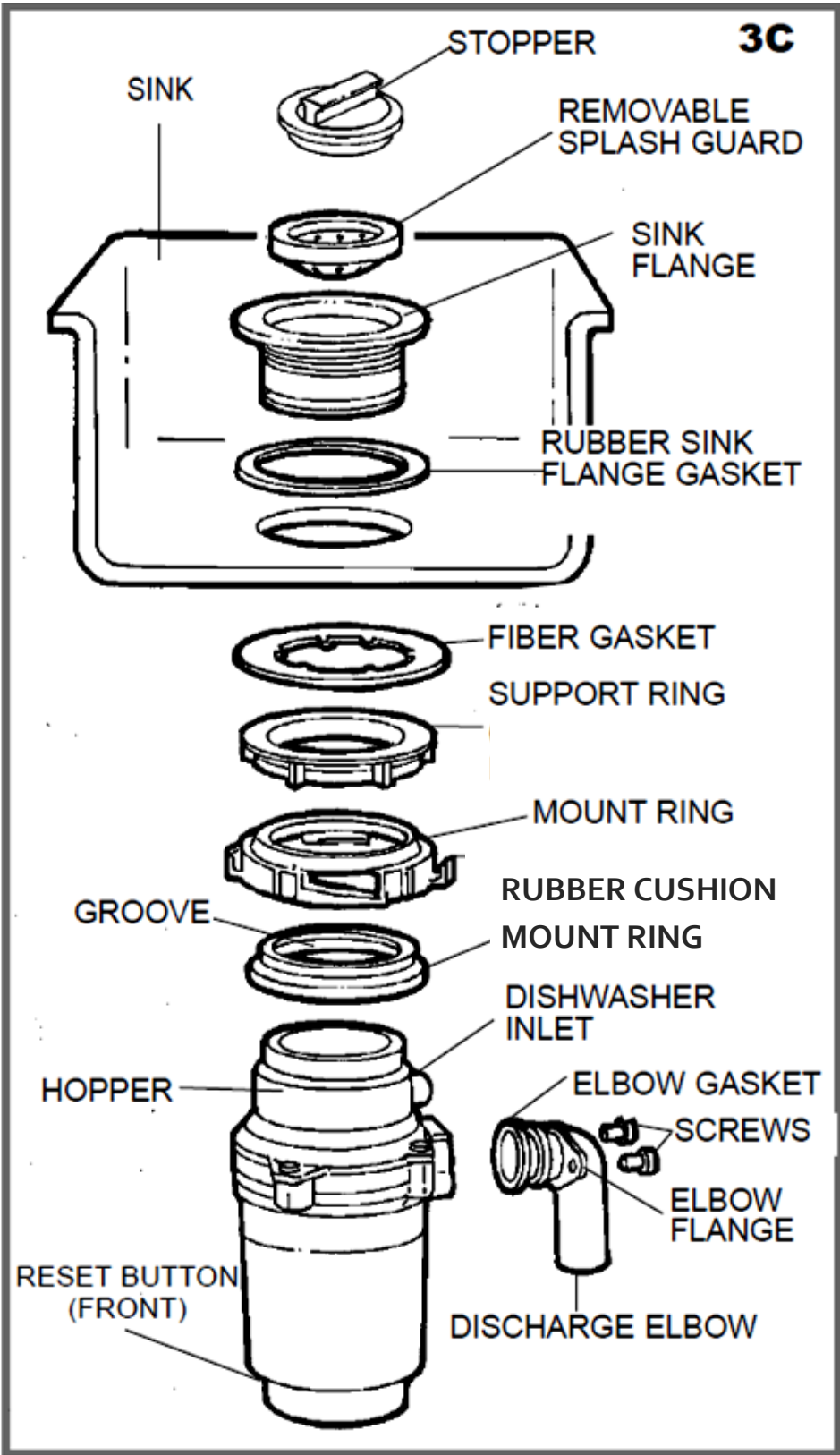
INSTRUCTIONS PERTAINING TO A RISK OF FIRE, ELECTRIC SHOCK OR INJURY TO PERSONS. SAVE THESE INSTRUCTIONS.

WARNING – When using electrical appliances basic precautions should always be followed including the following:

- Read all instructions before using the appliance.
- To reduce the risk of injury, close supervision is necessary when an appliance is used near children.
- Do not put fingers or hands into a waste disposer.
- Turn the power switch to the off position before attempting to clear a jam or remove an object from the disposer.
- When attempting to loosen a jam in a waste disposer, use a long wooden handle of a broom or mop.
- When attempting to remove objects from a waste disposer use long-handled tongs or pliers.
- To reduce the risk of injury by materials that may be expelled by a waste disposer, do not put the following into a disposer: clam or oyster shells; caustic drain cleaners or similar products; glass, china or plastic; large whole bones; metal, such as bottle caps, tin cans, aluminium foil or utensils; hot grease or other hot liquids; whole cornhusks.
- When not operating a disposer, leave the stopper in place to reduce the risk of objects falling into the disposer.
- DO NOT operate disposer unless splash guard is in place
- For proper grounding instructions see the ELECTRICAL CONNECTION portion of this manual.
- If the supply cord is damaged, it must be replaced by the manufacturer, its service agent or authorized person in order to avoid hazard.



PRODUCT DESCRIPTION



OPERATING THE WASTE DISPOSER

The Anti-Jam Swivel Impellers make a clicking sound as they initially swing into place. This indicates normal operation.

1. Remove sink stopper. Turn on a medium flow of cold water.
2. Turn switch to ON position; your motor is turning at full speed and ready to use.
3. Scrape in food waste. Down the drain go table scraps, peelings, rinds, seeds, small bones and coffee grounds. To speed up food waste disposal, cut or break up large bones, rinds and cobs. Large bones and fibrous waste require considerable grinding time and are more easily thrown away with other trash. Do not be alarmed that the disposer slows down while grinding. The disposer is actually increasing torque (grinding power) and is operating under normal conditions.
4. Before turning disposer off, let water and disposer run for approximately 15 seconds after shredding or grinding stops. This assures that all waste is thoroughly flushed through the trap and drain.
5. It is not recommended to use hot water while running disposer. Cold water will keep waste and fats solid so disposer can flush away particles.

TIPS FOR SUCCESSFUL OPERATION

- Be sure disposer is empty before using your dishwasher so it may drain properly.
- You may want to leave the stopper in the drain when not using to prevent utensils and foreign objects from falling into the disposer.
- Your disposer is ruggedly built to give you many years of trouble free service. It will handle all normal food wastes, but it will NOT grind or dispose of such items as plastic, tin cans, bottle caps, glass, china, leather, cloth, rubber, string, clam and oyster shells, aluminium foil or feathers.

INSTALLATION

REMOVAL OF OLD UNIT

TYPICAL INSTRUCTIONS, YOUR MODEL MAY VARY

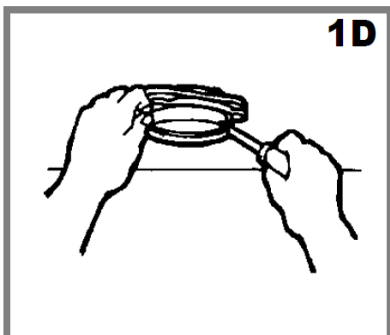
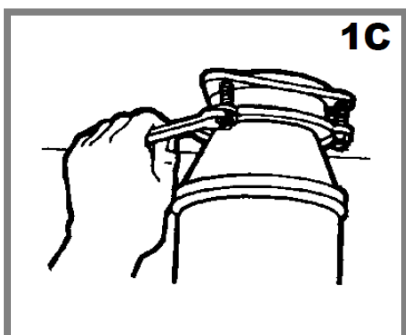
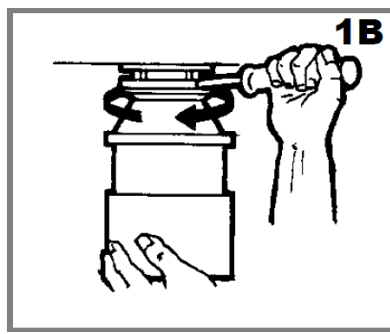
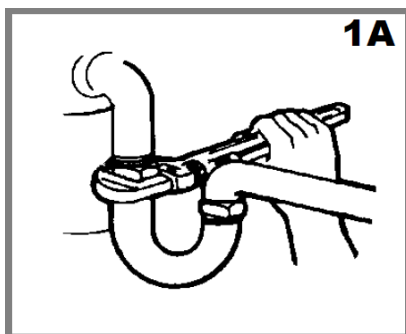
Before starting this step, turn off electrical power at the circuit breaker or fuse box.
Unplug disposer.

Caution: Be sure to support the disposer while performing this step or it may fall when the mounting ring is disconnected from the assembly.

If your old mount is the same type as the mount on your new disposer, just reverse the assembly instructions found in section 3. If your new mount system is different, follow these instructions.

1. Use a pipe wrench to disconnect drain line where it attaches to disposer discharge elbow (see 1A).
2. Remove disposer from sink flange by turning mount ring to the left counter-clockwise (see 1B). If you are unable to turn the mount ring, tap on one of the extensions from the ring with a hammer. Some mounting systems have tubular extensions. Inserting a screwdriver into one tube will provide additional leverage for turning the mount ring (see 1B). Some disposers may require the removal of loosening of nuts from the mount screws (see 1C). Some disposers may require the removal of a clamp.
3. To remove remaining mount system from the sink, loosen mount screws, push mount ring up. Under it is the snap ring use screwdriver to pop off ring (see 1D). Remove mount ring, protector ring and gasket from sink flange. Some mounts will require the unscrewing of a large ring holding the sink flange in place. Pull sink flange up through sink and clean off old putty from the sink.

IMPORTANT: This is a good time to clean out the trap and drain lines by running a drain auger or plumber's snake before installing your new disposer.

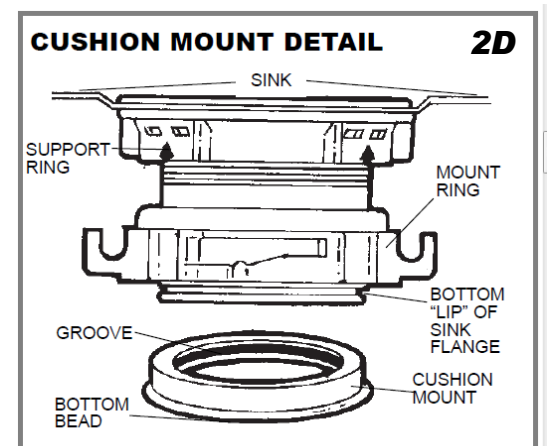
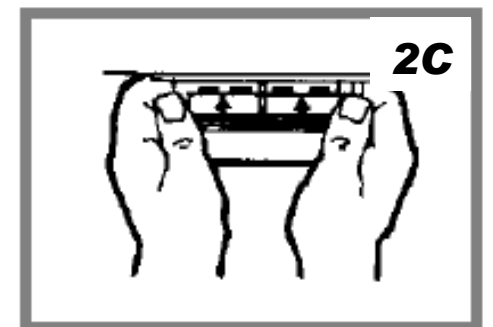
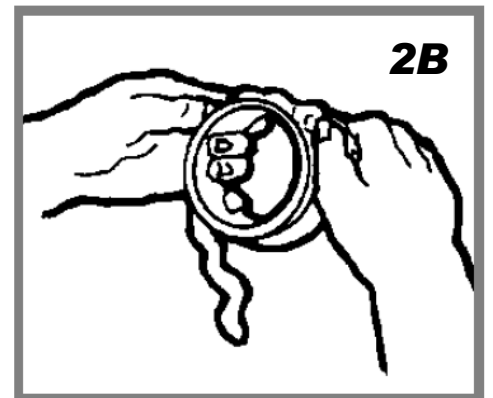
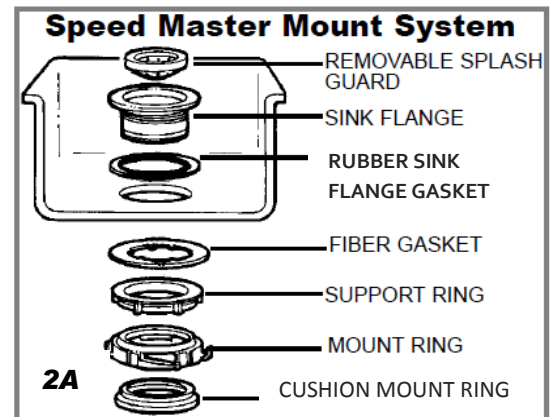


INSTALLATION OF MOUNTING ASSEMBLY

READ COMPLETELY BEFORE STARTING

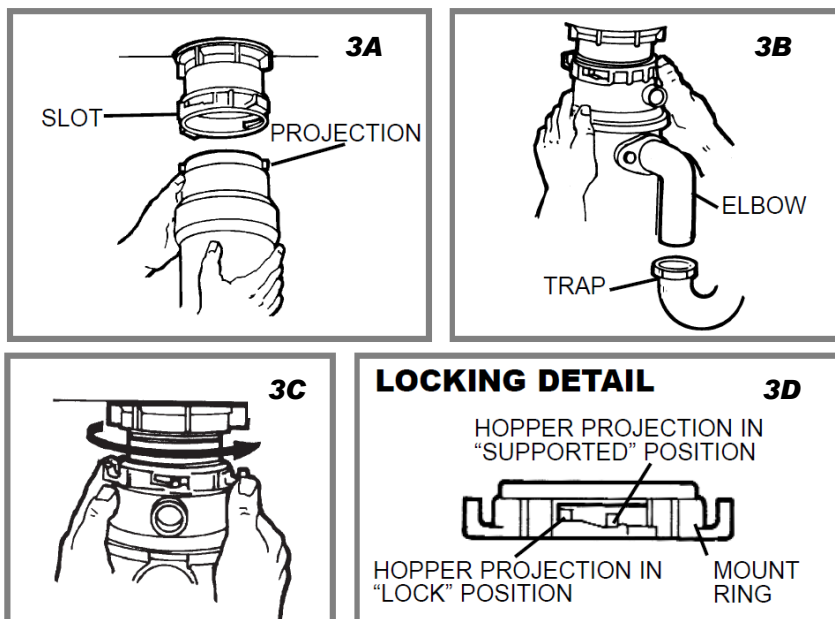
NOTE: Pay close attention to the order of mount assembly parts, as they have been correctly assembled by the factory (see 2A). Also reference the cushion mount detail in illustration 2D for the proper position of the cushion mount (see page 8).

1. Disassemble mount assembly from disposer by turning mount ring to the left (counter-clockwise) and remove.
2. Raise mount ring toward top of sink flange. Remove cushion mount. Remove mount ring. You may want to practice installing the cushion mount at this point before you are under the sink. See paragraph 8.
3. Unscrew support ring from sink flange and remove fiber gasket. You are now left with sink flange and rubber gasket.
4. The rubber gasket is used instead of plumbers putty with stainless steel sinks. Other sinks will require putty.
5. If no putty is used, insert sink flange through rubber gasket into sink opening. Do not rotate sink flange once it is seated.
6. If you use putty instead of the gasket, form a ring around underside of sink flange (see 2C). Insert flange into sink opening, press down hard to squeeze out excess putty (see 2B). From under sink, trim off excess putty flush with bottom edge of sink opening.
7. From underneath sink, slip fiber gasket onto exposed sink flange. With arrows pointing up, screw support ring into the sink flange, hand tighten until the sink flange will not move. At this point you may want to insert stopper in sink and fill with water to check sink flange seal and ensure there are no leaks.
8. Place mount ring over sink flange and hold in place while installing cushion mount (large side down) so the groove on the inside of cushion mount fits over lip on sink flange, similar to putting the lid on a plastic container (2D).
9. **Cushion Mounting detail:** When the cushion mount is installed correctly, the lip of the sink flange fits into the groove on the inside of the cushion mount and mount ring can be pulled downward over the cushion mount and will be free to rotate. The bottom bead of the cushion mount acts as a gasket between the bottom of the sink flange and the top of the disposer. See illustration 2D.
10. The disposer must be installed so that the reset button is readily accessible.



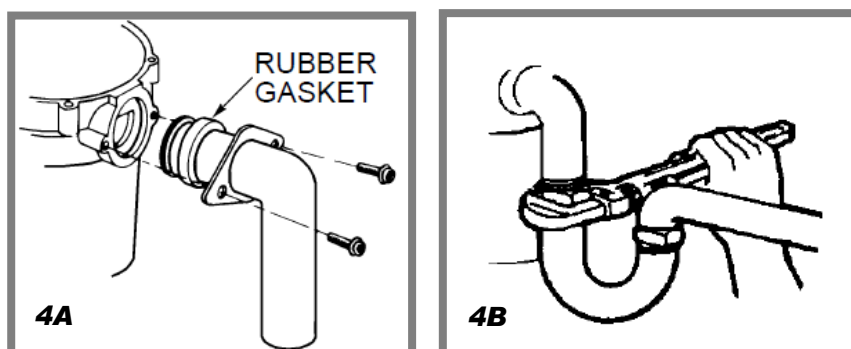
CONNECTING DISPOSER TO MOUNT ASSEMBLY

1. Line up disposer under mounting assembly. Guide hopper projections into mount ring slots. Turn mount ring about $\frac{1}{4}$ " to right so that disposer is temporarily supported (see 3A).
2. Turn mount ring and disposer until disposer elbow lines up with trap (see 3B).
3. Turn mount ring to the right (clockwise) until it locks up tight. Tap the mount ring ears with your hands until the lock position is achieved. Hopper projections must be to extreme left of mounting slots (see 3C & 3D).
4. If mount ring is hard to turn, you may add a small amount of petroleum jelly or liquid soap to hopper projections. Run water and check for leaks.



ATTACHING DISCHARGE ELBOW

1. Connect waste elbow to the disposer (see 4A) then connect bottom of the elbow by tightening the slip nut (see 4B).
2. If you are connecting to a dishwasher, refer to dishwasher connection on page 9. If not, make sure all plumbing connections are tight and in accordance with all plumbing codes and ordinances. Run water and check for leaks.

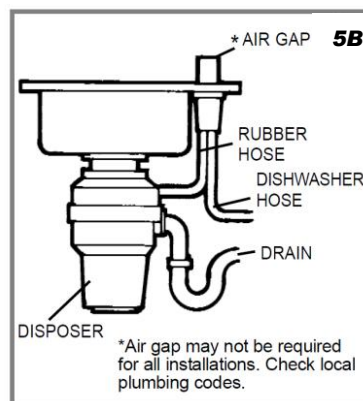
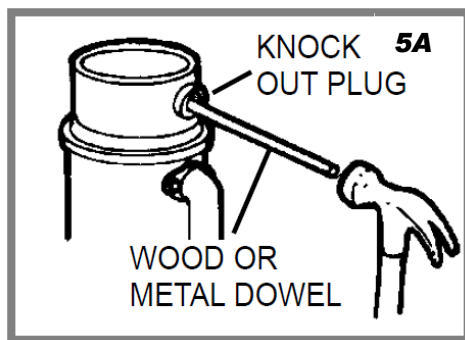


DISHWASHER CONNECTION

If you are utilizing a dishwasher, complete the following procedure. If dishwasher is not to be connected go on to section 3.

- A. Using a blunt instrument (steel punch or wooden dowel), knock out entire plug (see 5A). DO NOT use a screwdriver or sharp instrument. (When knockout plug falls into disposer, you may remove it or grind it up when the disposer is used. This will not damage the disposer in any way, but may take some time to grind).
- B. Connect dishwasher hose (see 5B) using hose clamp. Make sure all plumbing connections are right and in accordance with all plumbing codes and ordinances.

Run water and check for leaks.



ELECTRICAL CONNECTIONS

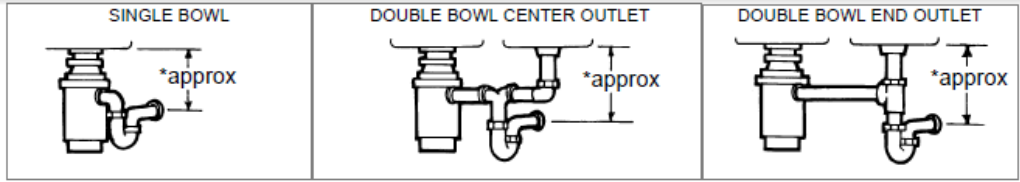
DANGER: Improper connection of the equipment-grounding conductor can result in a risk of electric shock. Check with a qualified electrician or serviceman if you are in doubt as to whether the appliance is properly grounded. DO NOT modify the plug provided with the appliance if it will not fit the outlet. Have a proper outlet installed by a qualified electrician.

1. Connect disposer to appropriate household current only.
2. This appliance must be grounded. In the event of malfunction or breakdown, grounding provides a path of least resistance for electric current to reduce the risk of electric shock. This appliance is equipped with a cord having an equipment- grounding conductor and grounding plug. The plug must be plugged into an appropriate outlet that is properly installed and grounded in accordance with all local codes and ordinances. If the supply cord is damaged it must be replaced by the manufacturer, its service agent or similarly qualified person in order to avoid a hazard.

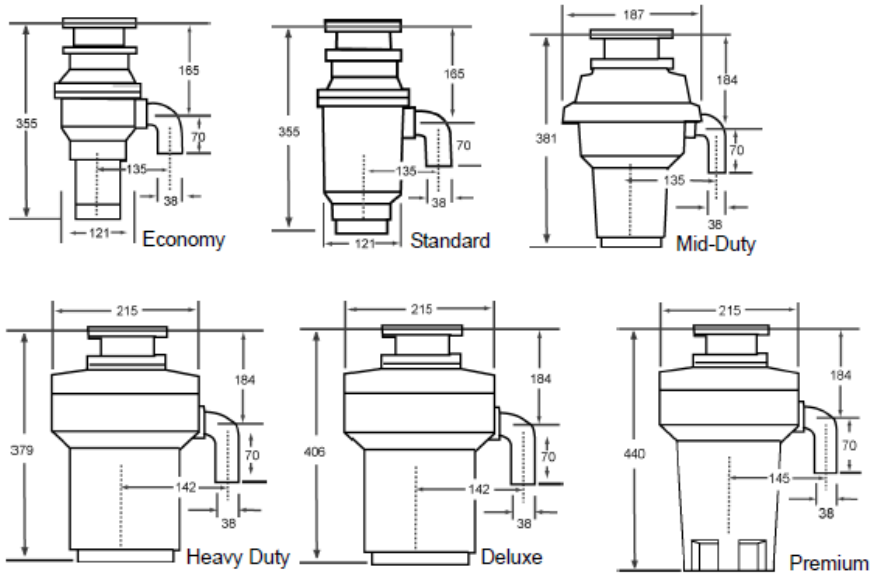
TYPICAL INSTALLATION

* Dimensions are mm.

Economy	235
Standard	235
Mid-Duty	260
Heavy Duty	260
Deluxe	260
Premium	260



WHITE ELBOW



CLEANING AND MAINTENANCE

DO NOT ATTEMPT TO LUBRICATE YOUR DISPOSER!

The motor is permanently lubricated. The disposer is self cleaning and scours its internal parts with each use.

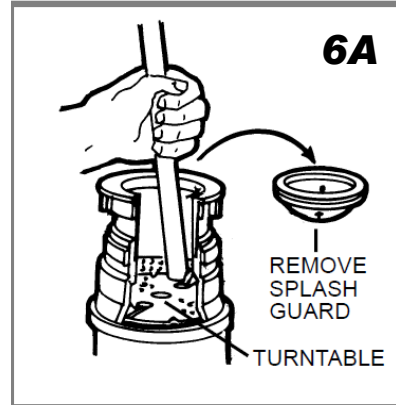
NEVER put lye or chemical drain cleaners into the disposer, as they can cause serious corrosion of metal parts. If used, resulting damage can be easily detected and all warranties are void. Mineral deposits from your water can form on the stainless steel turntable giving the appearance of rust. DO NOT BE ALARMED, the stainless steel turntables used will not corrode.

TROUBLESHOOTING

Before seeking repair or replacement, we recommend that you review the following:

LOUD NOISES (Other than those during grinding of small bones and fruit pits):

- These are usually caused by accidental entry of a spoon, bottle cap, or other foreign object.
- To correct this, turn off electrical switch and water.
- After disposer has stopped, remove splash guard, remove object with long handle tongs, and replace splash guard.



UNIT DOES NOT START:

- Unplug power cord or turn off either the wall switch or breaker box switch to “OFF” position, depending on your model and wiring configuration.
 - Remove stopper and/or splash guard.
 - Check to see if turntable rotates freely using a wooden broom handle.
 - If turntable rotates freely, replace splash guard and check reset button to see if it has been tripped.
 - Reset button is red and located on the front of the disposer. Push button in until it clicks and remains depressed. If reset button has not been tripped, check for shorted or broken wire connecting to disposer. Check electrical power switch, fuse box or circuit breaker. If wiring and electrical components are intact, the unit may have internal problems that require service or replacement.
- **IF TURNTABLE DOES NOT ROTATE FREELY:**
- Turn off disposer
 - Check for any foreign object lodged between the turntable and grind ring.
 - Dislodge object by rotating table with a wooden broom handle (see 6A) and remove object. If no foreign object is present, there may be internal problems.

LEAKS: If the unit leaks at the top, it may be due to:

- Improper seating of sink flange (gasket centering, putty or tightening)
- Support ring not tightened properly
- Defective or improperly installed cushion mount

If unit leaks at the waste elbow, leak may be due to improper tightening of elbow flange screws.