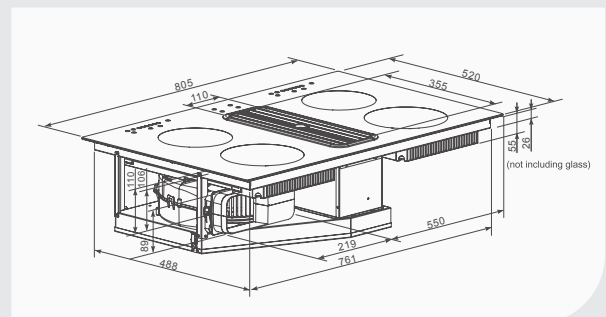


# Our latest addition. Inspiring designs for New Zealand Kitchens.

## 800MM DOWNDRAFT INDUCTION COOKTOP BLACK DDC800BI

- Induction Cooktop
- 9 Heat Settings
- 3 Down Draft Speed Settings
- 4 Cook Zones
- 600m<sup>3</sup>/hour Air Movement Capacity
- Timer (when hob is in operation)
- Touch Controls
- Removable Filters
- Aluminium Filters
- Child Lock
- Black Cermaic Glass
- 72db Noise
- 7 Year Warranty



### Impressive 7 Year Warranty

Note: 7 year warranty is for domestic use only.  
For more information visit [www.parmco.co.nz](http://www.parmco.co.nz).

**PARMCO**  
Inspiring kitchens, entertaining homes

**AVAILABLE NOW**

Ask your local Parmco Representative for Pricing