

Our latest addition. Inspiring designs for New Zealand Kitchens.

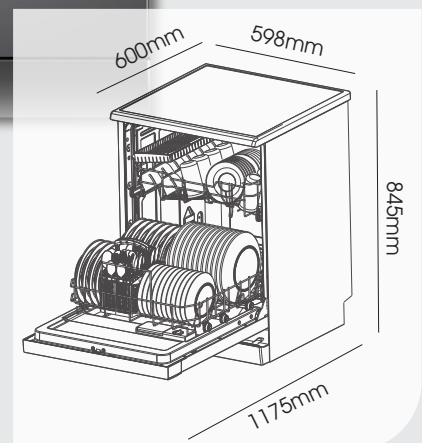
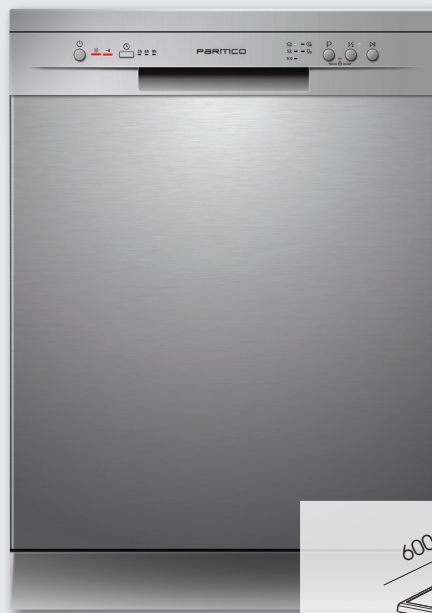
600MM ECONOMY DISHWASHER STAINLESS STEEL DW6SE

- 12 Place Setting
- 5 Programmes
- Easy to use control
- Delayed start option
- Half Load option
- Child Lock
- LED Lights
- Flood Safety Protection
- Water Rating: 4.5 Star (11L)
- Energy Rating: 3 Star (267kWh)
- Noise: 52dB



Impressive 7 Year Warranty

Note: 7 year warranty is for domestic use only.
For more information visit www.parmco.co.nz



AVAILABLE NOW

Ask your local Parmco representative for pricing.

PARMCO

Inspiring kitchens, entertaining homes