

# Our latest addition. Inspiring designs for New Zealand Kitchens.

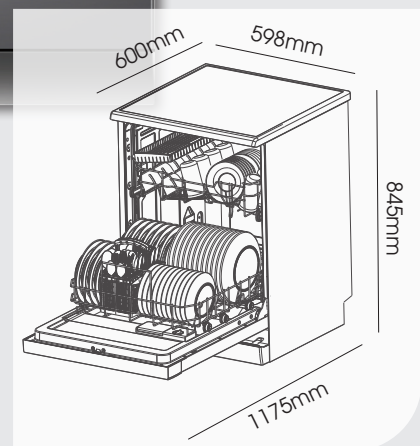
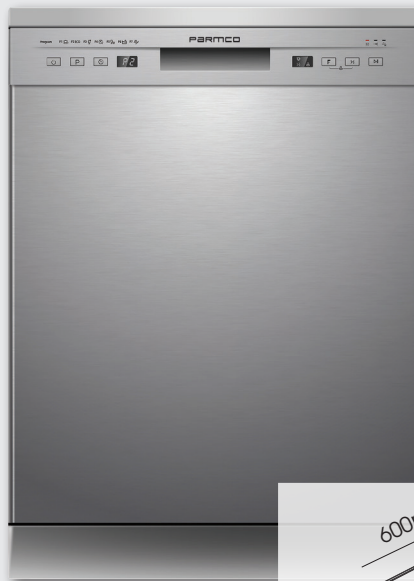
## 600MM ECONOMY PLUS DISHWASHER STAINLESS STEEL DW6SP

- 14 Place Setting
- 7 Programmes
- Easy to use control
- Delayed start option
- Half Load option
- Child Lock
- LED Lights
- Flood Safety Protection
- Extra Drying Function
- Water Rating: 4.5 Star (12.7L)
- Energy Rating: 3 Star (320kWh)
- Noise: 52dB



### Impressive 7 Year Warranty

Note: 7 year warranty is for domestic use only.  
For more information visit [www.parmco.co.nz](http://www.parmco.co.nz)



### AVAILABLE NOW

Ask your local Parmco representative for pricing.

# PARMCO

Inspiring kitchens, entertaining homes