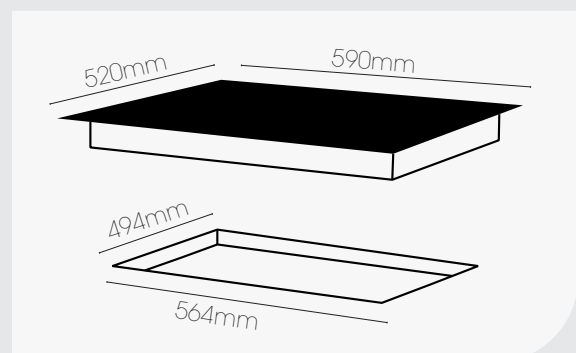


# Our latest addition. Inspiring designs for New Zealand Kitchens.

## 600MM CERAMIC HOB STAINLESS STEEL FRAME HX-1-6S-CER

- Ceramic Hob
- 9 Power Settings
- Knob Control
- 4 Heat Settings
- Easy Clean Surface
- Excessive Heat Protection
- Heat Indicators
- 25A Electrical Outlet



### Impressive 7 Year Warranty

Note: 7 year warranty is for domestic use only.  
For more information visit [www.parmco.co.nz](http://www.parmco.co.nz)

### AVAILABLE NOW

Ask your local Parmco representative for pricing.

# PARMCO

Inspiring kitchens, entertaining homes