

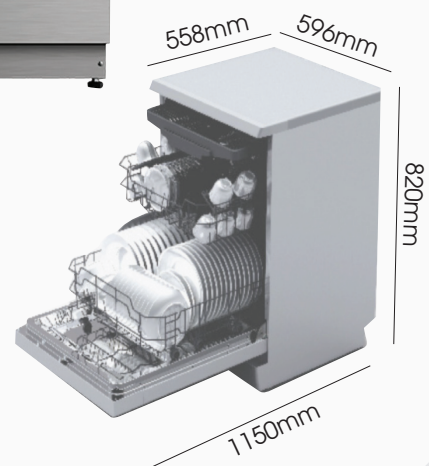
# Our latest addition. Inspiring designs for New Zealand Kitchens.

## 600MM, INTERGRATED DISHWASHER PD6-PIT-2

- 14 Place Setting
- 7 Programmes
- Electronic, easy to use (on top of the unit door) Push Button
- LED Display
- Third Layer Cutlery Tray
- Delayed start option
- Child Lock
- Flood Safety Protection
- Adjustable Top Basket
- Water Rating: 4 Star (13.7L)
- Energy Rating: 3 Star (310kWh)
- Noise: 49dB



\*Shown with Stainless Steel door; not included, buttons are on top of dishwasher not on the front



### Impressive 7 Year Warranty

Note: 7 year warranty is for domestic use only.  
For more information visit [www.parmco.co.nz](http://www.parmco.co.nz)

### AVAILABLE NOW

Ask your local Parmco representative for pricing.

# PARMCO

Inspiring kitchens, entertaining homes