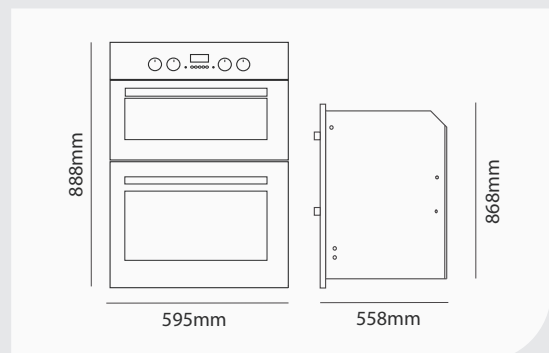


Our latest addition. Inspiring designs for New Zealand Kitchens.

600MM DOUBLE OVEN 7+4 FUNCTIONS STAINLESS STEEL PPOV-6S-DT-4

- 7 Functions - Main oven
- 4 Functions - Top Oven
- 59L Capacity - Main Oven
- 35L Capacity - Top Oven
- Electric Oven
- Electronic Timer
- Knob Control
- Digital Clock • Triple Glazed Door
- Catalytic Self Cleaning Panels (main oven only)
- Energy Efficiency: European A-level



Impressive 7 Year Warranty

Note: 7 year warranty is for domestic use only.
For more information visit www.parmco.co.nz

AVAILABLE NOW

Ask your local Parmco representative for pricing.

PARMCO

Inspiring kitchens, entertaining homes