

Your Ventilation answer.  
A healthy home creates  
a happy kiwi home.

## Rangehood Box

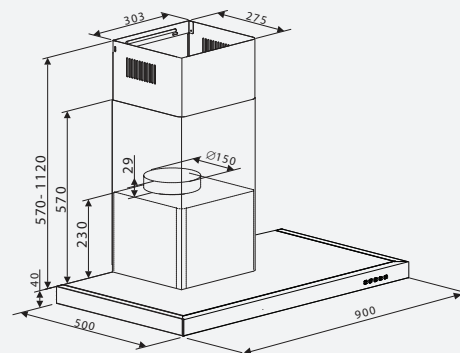
900MM, 1000M3H  
STAINLESS

RB9S1000

- 3 Speed Settings
- 1000m3/hr Air Movement Capacity
- Removable Aluminium Mesh Filters
- LED Lights
- Push Button
- Noise 62db
- Ducting 150mm
- Extendable Chimney
- 900mm x 500mm x 610-1160mm max
- 7 Year Warranty

A smart clean, healthy solution  
for your home environment.

This streamlined control panel is user-friendly and provides multiple fan speeds to efficiently clear steam and odors from cooking. The LED lights, activated by a separate button, brighten the entire cooking area. Aluminum filters successfully trap grease, are simple to remove, easy to clean, and safe for the dishwasher.



Impressive 7 Year Warranty

Note: 7 year warranty is for domestic use only.  
For more information visit [www.parmco.co.nz](http://www.parmco.co.nz)

**PARMCO**

Inspiring kitchens, entertaining homes