

# Our latest addition. Inspiring designs for New Zealand kitchens.

## 380L CHEST FREEZER WHITE CHF-380

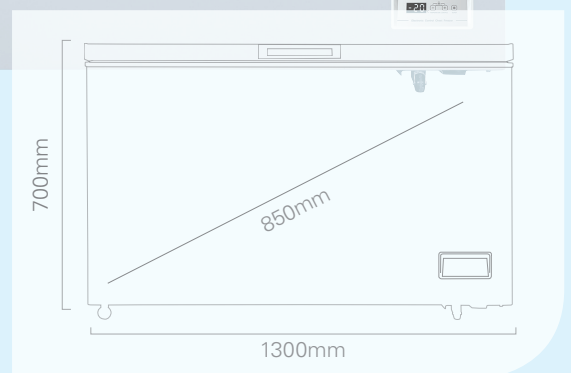
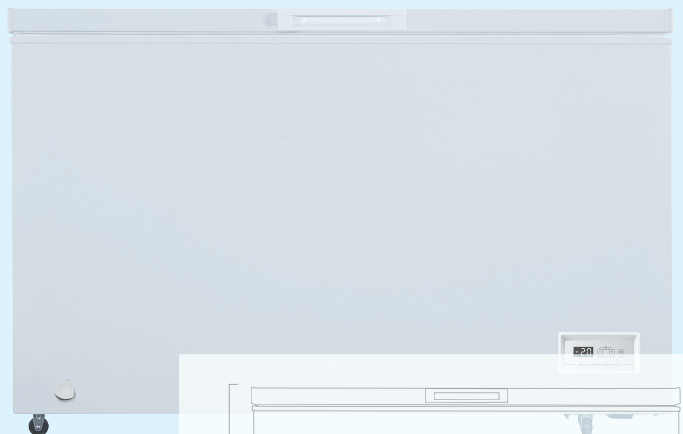
---

- 380L White Freezer
- 2 Star Energy Rating
- Electronic Temperature Control
- Waste Disposal Device
- Direct Cooling
- Wire Basket
- Rollers
- 1300mm x 700mm x 850mm



### Impressive 7 Year Warranty

Note: 7 year warranty is for domestic use only.  
For more information visit [www.parmco.co.nz](http://www.parmco.co.nz)



### AVAILABLE NOW

Ask your local Parmco representative for pricing.

## PARMCO

Inspiring kitchens, entertaining homes