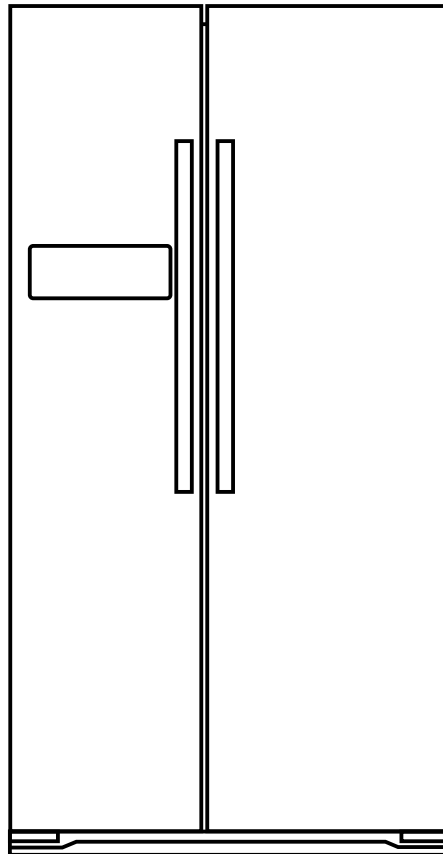


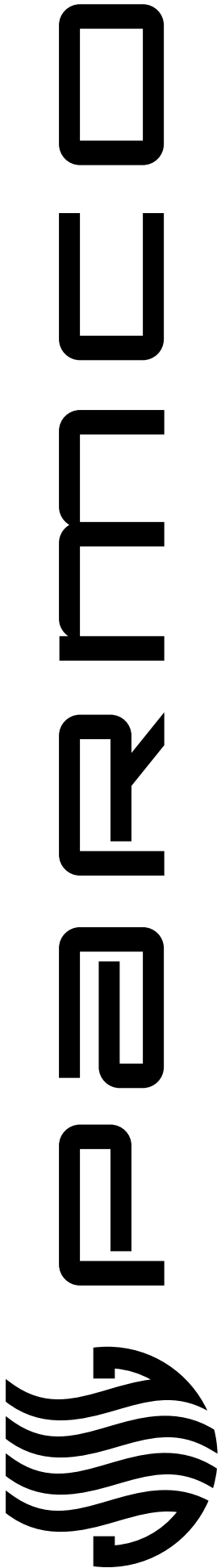
Installation and Operating Instructions

Model: FR-580S-DD



For your convenience, we recommend to attach the serial number label HERE.

As part of Parmco Appliances commitment to improving and updating product ranges, we reserve the right to alter, change and update technical specifications and appearance attributes of all Parmco Appliances products. E&OE.





Dear Valued Customer,

Thank you and congratulations on purchasing your new Parmco appliance.

All Parmco products are made to the highest quality and design standards. We are sure you will enjoy your new appliance.

As a note, please read through these instructions carefully, as these will assist you in gaining a complete understanding of the functions and features offered by your appliance.

Please take special note of all detailed technical information and installation instructions. It is essential that you only allow a qualified technician to install this appliance to ensure the safety and reliability of this appliance.

Furthermore, not using appropriate personnel to install this appliance may affect any future warranty claims lodged, so please check with Parmco Appliances before any installation is carried out.

We hope you enjoy your new appliance. If you would like to find out more about this product or any other products in Parmco's extensive range, visit us on the web at www.parmco.co.nz.

Regards,
The Parmco Team



Index

FEATURES	2
WARNING	2
SAFETY PRECAUTIONS.....	4
FIRST TIME USE	5
PRODUCT DESCRIPTION.....	6
REFRIGERATOR COMPARTMENTS	6
SHELF ADJUSTMENT.....	7
RACK HEIGHT ADJUSTMENT.....	7
FREEZER COMPARTMENTS	8
FUNCTIONS	9
MAINTENANCE.....	12
ENERGY SAVING TIPS	13
TROUBLESHOOTING.....	13

Read these safety instructions thoroughly and carefully before using. Please keep this manual on hand for future reference.

To avoid any risks, personal injuries or hazards, it is important that the appliance is installed correctly by authorized personnel only and that you read the safety instructions carefully.

FEATURES

- FOOD FRESHNESS TECHNOLOGY achieved by having a separate fan system in the refrigeration compartment, separate temperature control, and stable storage temperature, ensuring that food is fresher for longer.
- DEFROST PRE-COLD achieved by keeping the temperature stable in refrigerator thus keeping food fresher.
- INOVATIVE DEFROSTING helps you save energy.
- ANTI HEAT TECHNOLOGY by having a thick anti- heat layer resulting in low energy consumption.
- SLIDING SHELVES designed to slide for convenient storage
- INTELLEGENT PROGRAMME to achieve the desired freezing effect and storage temperature automatically.
- ERGONOMICAL DIMENSIONS. Slim design with large volume capacity.
- FROST FREE
- AUTOMATIC ALARM FOR ERRORS
- OPEN DOOR ALARM
- Stylish and innovative LED SCREEN

WARNING

- This appliance is for domestic household use only and storing food items.
- This appliance is not intended for use by persons (including children) with reduced physical, sensory or mental capabilities, or lack of experience and knowledge, unless they have been given supervision or instruction concerning the use of the appliance by a person responsible for their safety.
- Children should be supervised to ensure they do not play with the appliance.
- If the supply cord is damaged, it must be replaced by a qualified person in order to avoid a hazard.

- Please dispose of the refrigerator according to local authority regulations. When disposing of the refrigerator take off the door and remove the shelves to avoid hazards.
- Do not use mechanical devices or other means to accelerate the defrosting process.
- Do not damage the refrigerant circuit.
- Keep ventilation openings clear of obstructions.
- Ensure that the appliance is switched off before replacing the lamps to avoid the possibility of electric shock. Unplug the unit when cleaning or if there is a power failure. You should wait at least 5 minutes or longer before reconnecting the appliance to avoid compressor damage.
- Servicing of this appliance must be performed by a qualified person.
- Do not use electrical appliances inside the appliance.
- Do not store explosive substances such as aerosol cans with flammable propellants in or near this appliance as it may cause fire and other hazards.
- The refrigerator uses alternating current supply 220v-240v, 50Hz. If the voltage fluctuation is larger (over 187-264v), it may cause product failures such as the appliance not working, and the main control board and compressor can burn out. If this happens you must install an automatic voltage regulator which is above 1000W.
- Do not drag the power cord to unplug the unit. Do not allow the power cord to be pinned under the unit. If the power cord gets damaged or worn get them replaced by a qualified electrician.
- This appliance needs to be unplugged before carrying out any maintenance.
- Do not touch icy surface of the freezer with wet hands to avoid frostbite.
- Do not install the refrigerator in wet areas to protect the electrical insulation of the unit.

Note: Images in this manual are for reference only and may differ from the actual product.

SAFETY PRECAUTIONS

Always follow the safety instructions listed below:

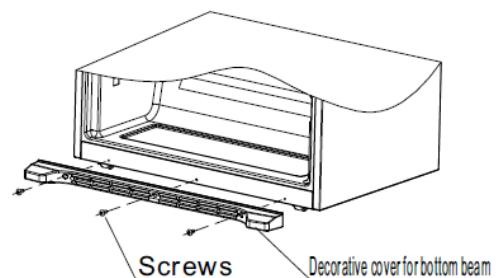
After the refrigerator is positioned DO NOT PLUG it in for a minimum of 6 hours to allow the gas to settle after transportation.

CORRECT USE OF YOUR APPLIANCE

- Remove all packaging material before using the refrigerator. This includes the foam base and all adhesive tape holding the accessories inside and outside.
- Clean both the inside and outside of the refrigerator with a damp cloth (a little detergent can be added to the warm water) and then wipe again with a clean cloth.
- The appliance needs to have an independent power socket.
- Do not connect the grounding wire! The grounding pole of the socket should be provided with a reliable grounding wire.
- Open the refrigerator and remove the accessories and the three screws from the instructions packaging bag; install them at the bottom beam as shown in the image bellow. Screw on the bottom cover

Note:

The decorative cover for the bottom beam is used as ornament, so you can choose not to install it. It will not affect the refrigerator's performance in any way.



- When moving do not tilt over more than 45 degrees. Do not cling the door.
- Ensure adequate air circulation around your appliance; do not place the unit near any heat source, direct sunlight, moisture or water to avoid rust and damaging the insulation.
- Space at the top of the unit should be at least 30cm, both sides and back at least 10cm from the wall to allow doors to open and close easily.
- This appliance should be installed on a solid level floor. (If uneven you can adjust it using the leveler)

- Do not allow the power cable to be compressed by the refrigerator or heavy object which could damage it causing power surges.
- Before connecting to the power check the voltage and power supply carefully.



WARNING:

Make sure the power cable is not pressed by the refrigerator or any other heavy object and it can damage the cable. Before connecting the appliance to the power outlet, make sure the power supply is suitable for the refrigerator's voltage requirements.

FIRST TIME USE

Before using the refrigerator, make sure it is fully leveled and installed on solid ground.

- 1) After opening the refrigerator fix lower cover.
- 2) Connect to the power supply.

After connecting to power supply the appliance is in default status and it shows the actual chilled and frozen temperature. The refrigerator has a power-down memory. The first and every time the unit is turned on it will be set up at the last power-down operation.

- 3) Mode of the refrigerator.

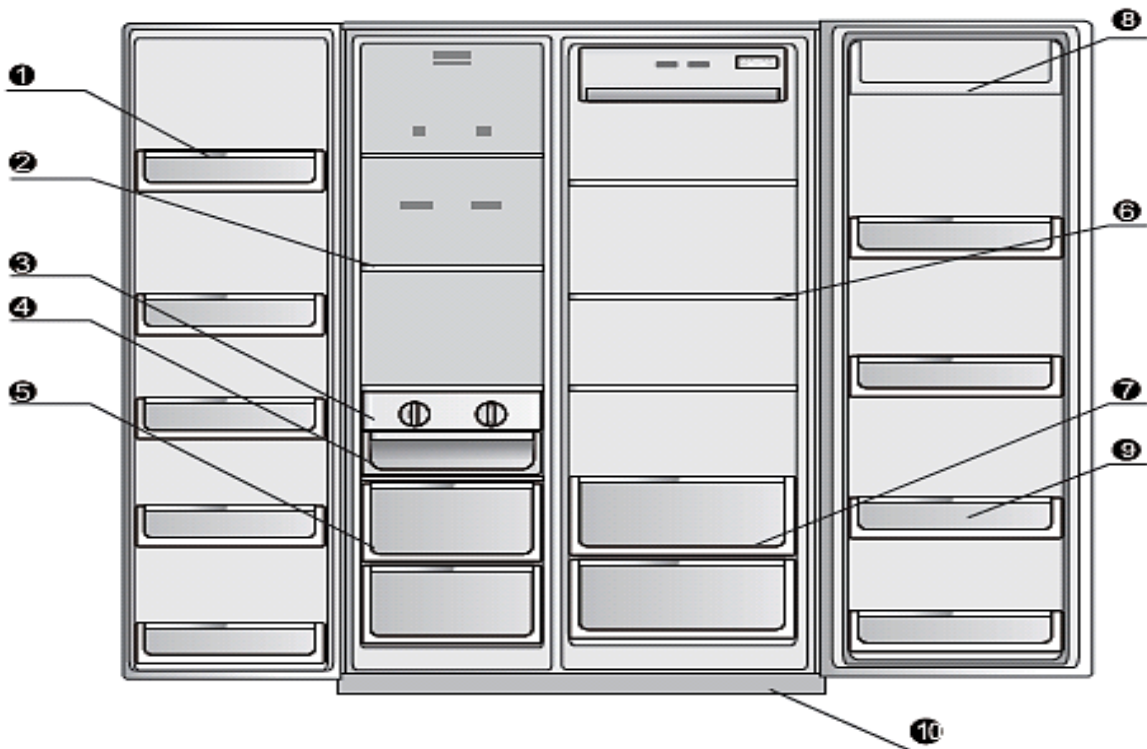
You can choose one of the following two modes to set up the refrigerator.

- **Intelligent mode:** If you do not require any special functions we recommend that you use the intelligent mode as the appliance will work automatically.
- **Manual Mode:** You can use the Temperature Control keys to set the temperature.

- 4) Place the food in the refrigerator after allowing a few hours for the refrigerator to cool down.

Note: When you change the temperature, or add more food in the refrigerator, it will take some time until it reaches the desired temperature. The duration of this period depends on the degree of temperature change as well as the number of items in the fridge and how often the door is opened.

PRODUCT DESCRIPTION



1 Freezer door rack

6 Refrigerator compartment glass shelf

2 Freezer compartment glass shelf

7 Vegetable crisper

3 Ice-maker box

8 Substance box

4 Ice box

9 Refrigerator door rack

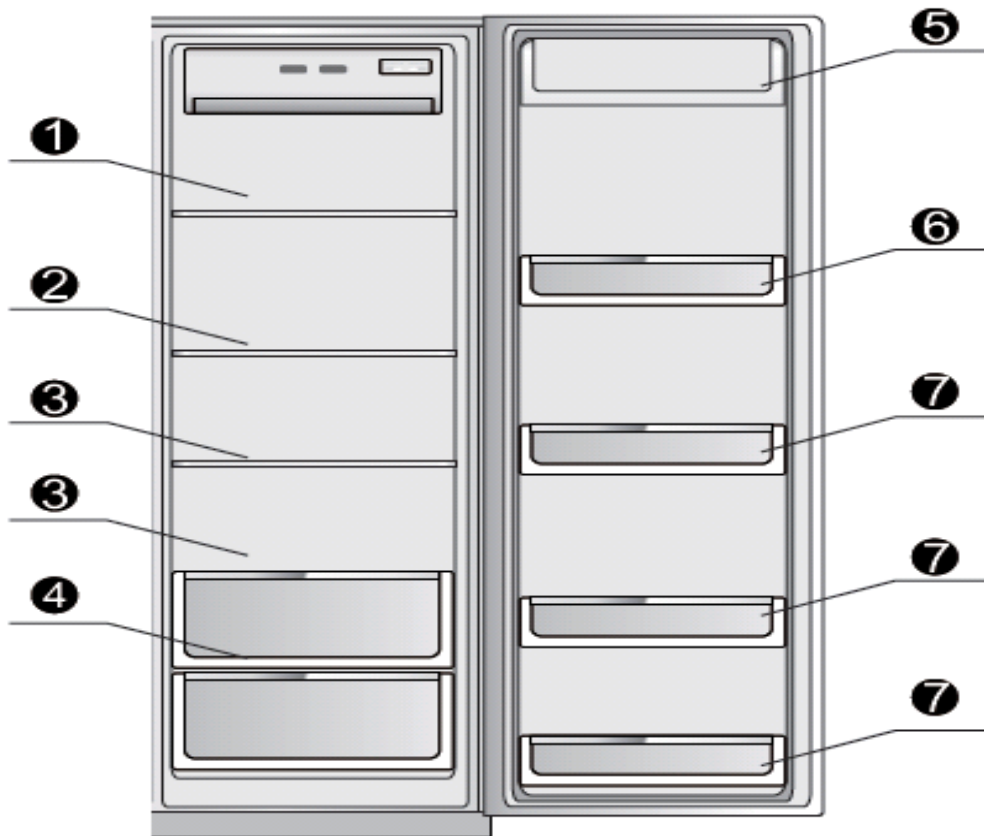
5 Freezer compartment drawer

10 Lower cover

REFRIGERATOR COMPARTMENTS

It is recommended for storing the fresh and short-life food that can be consumed at any given time. The standard temperature is between 0-10 C degrees and is not suitable for long-term food preservation. The temperature in the refrigerator compartment is different across various shelves. It is recommended to place the following items on the shelves indicated in the image bellow :

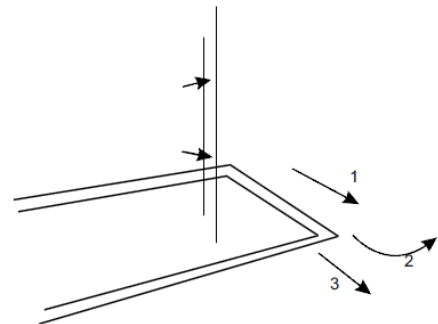
1. Pasta, canned food, etc..
2. Dairy products, fast-food
3. Cooked meat
4. Fruit and vegetables
5. Eggs
6. Sauces, condiments and spices



SHELF ADJUSTMENT

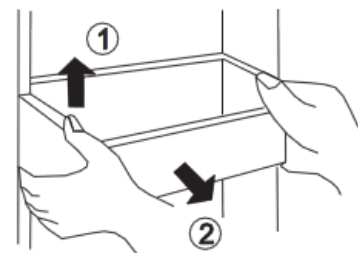
Shelves can be adjusted to accommodate all your requirements. Make sure the shelf is clear by removing all food before adjusting it.

Pull the shelf as indicated in direction 1, then turn the shelf for 90 degrees until it is perpendicular with the original direction (Direction 2), then pull out the shelf as indicated in Direction 3.



RACK HEIGHT ADJUSTMENT

Lift the rack as indicated in Direction 1, hold both sides then slowly pull it out as in Direction 2. You can follow these steps to clean the rack or adjust its position depending on the height of the food items stored in the refrigerator.

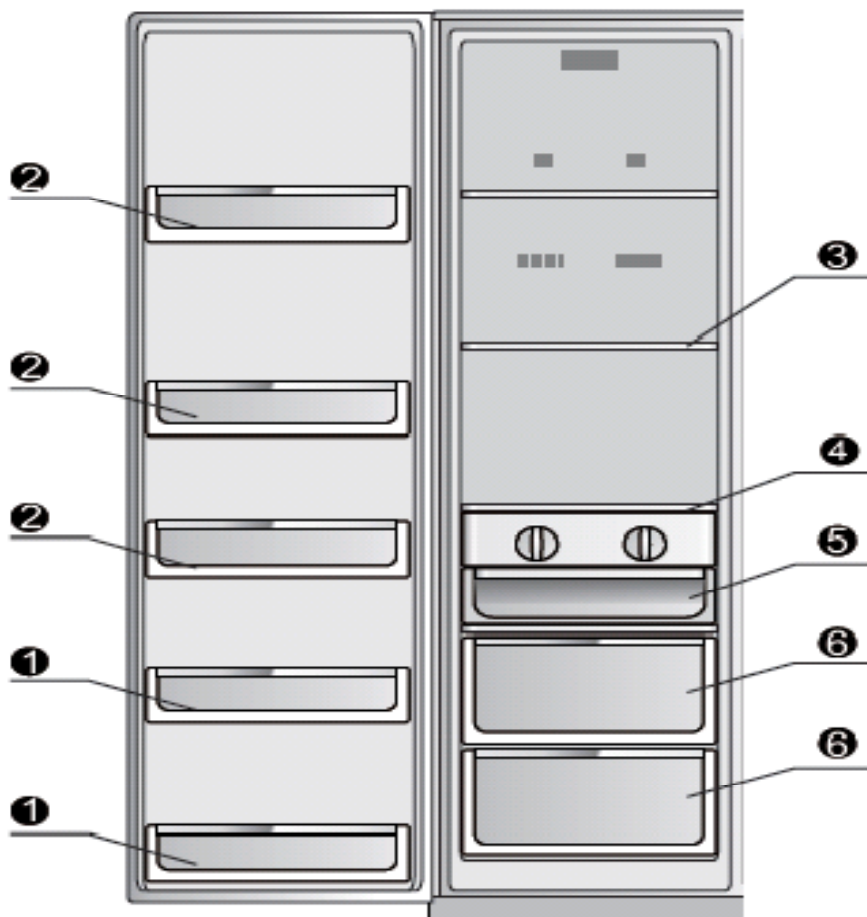


FREEZER COMPARTMENTS

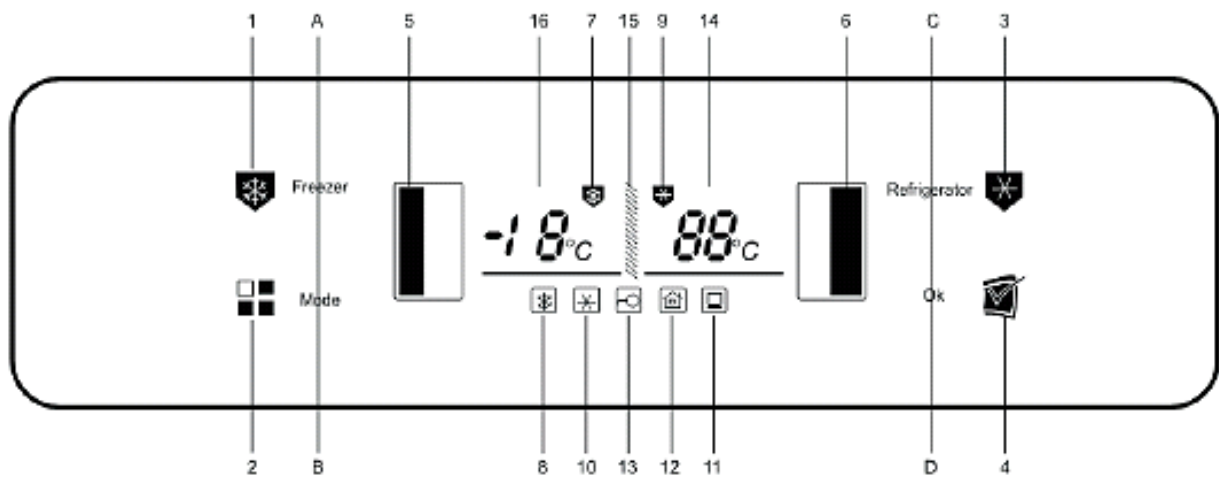
The temperature of the freezer compartment keeps food for a longer period of time. Always comply with the storage time marked on food packaging.

Recommendation of storage areas:

1. The storage compartments on the door are used for short-term storage (2 stars)
2. The storage grills/shelves are used for storing frozen food items.
3. The glass shelves are used for storing fish, meat and ice cream
4. Rotary Ice Maker to make ice
5. Ice box for storing ice lumps
6. Freezer drawer for meat, fresh fruit and vegetables



FUNCTIONS



1. Button Operation

- Freezer compartment temperature adjustment lamp.
- Mode settings
- Refrigerator compartment temperature adjustment
- Lock/Unlock indicator lamp

2. Lamp Indicator

- Frozen thermostat indicator
- Mode selection indicator lamp
- Refrigerator thermostat indicator lamp
- Lock/Unlock indicator lamp

3. Display

- Freezer icon
- Refrigerator icon
- Freezer Compartment
- Quick Freeze mode
- Refrigerator compartment
- Quick cold mode

- 11.Intelligent mode
- 12.Manual mode
- 13.Lock icon
- 14.Refrigerator compartment temperature
- 15.Compressor operation
- 16.Freezer compartment temperature

- **Lock/Unlock function**

Press Lock/Unlock key for 3 seconds, and the refrigerator is into the Locked position. To release the locked position press the key again for 3 seconds and the locked state is released.

The following functions must be operated under the Unlocked mode:

- **Intelligent mode**

Press the Mode Settings key (B) to select the Intelligent mode and icon 11 will be lighted, then press Lock/Unlock key (D) to confirm, and the refrigerator will operate using the Intelligent mode.

- **Manual Mode**

Press the Mode Setting key (B) to select the manual mode and the icon 12 shows, then press Lock/Unlock key (D) to confirm and the refrigerator will operate using the Manual mode.

- **Rapid Cooling Mode**

Press the Mode Setting key (B) to select the Rapid cooling mode and the quick cold icon (10) shows, then press the Lock/Unlock key to confirm, and the refrigerator will be operating in a rapid cooling mode.

- **Quick Freeze Mode**

Press the Mode key (B) to select quick freeze mode and quick freeze icon (8) shows, then press the Lock/Unlock key (D) to confirm and the refrigerator will be operating in quick freeze mode.

- **Releasing Intelligent, Manual, Rapid Cooling and Quick Freeze Modes**

Press the Mode Settings key (B) to cancel the corresponding modes, then press the Lock/Unlock key (D) to confirm.

- **Refrigerator Compartment Temperature Settings**

Press the Refrigerator Temperature key (C) once and the key flashes, then press the Temperature key (C) again to set the temperature between the range of 2° to 8°.

- **Freezer Compartment Temperature Settings**

Press the Freezer compartment temperature key (A) once, and the key flashes, press it again and you can set the temperature between the range -16°C to -24°C

- **Power Failure Memory Function**

When the electricity is off the refrigerator locks in the state it is set on, when the power is turned back on it automatically goes to the state it was operating in.

- **Compressor Protection Function**

The compressor running time is controlled by specialist latency circuits to ensure the running time intervals are not less than 5minutes.

- **Failure Tips**

When the screen displays E1-E6 this indicates that the unit is malfunctioning. The refrigerator is still able to function with some failures, but it must be repaired as soon as possible to prevent any further damage.

MAINTENANCE

- **Defrosting the Freezer**

The freezer compartment defrosts automatically.

- **Cleaning**

Remnants of food will cause odors, so it is necessary to regularly clean the refrigerator inside, by following these steps:

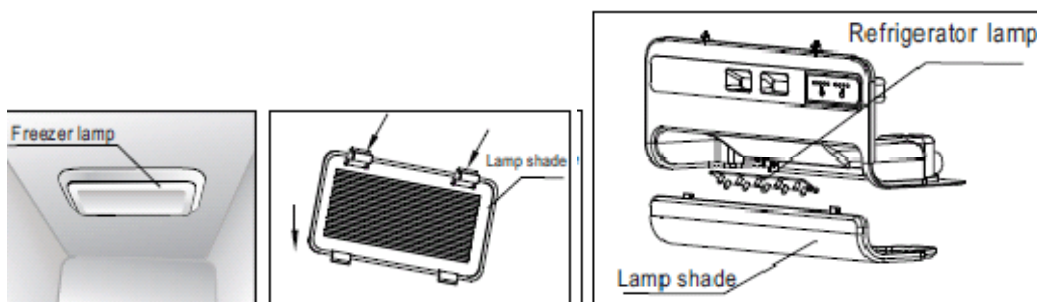
1. Unplug the unit before cleaning.
2. Use a soft towel or sponge with warm water.
3. Wipe any excess water with a dry cloth.

Note:

If the refrigerator is not used for a long period of time, you should unplug it from the power source to avoid any power failures, fire or other hazards.

Light Replacement

- The refrigerator uses a 12v LED.
- Turn off power before changing lights.
- Remove the light cover, loosen the screws and remove the LED lights.
- Replace with new bulbs, tighten screws and replace the cover.



ENERGY SAVING TIPS

- The appliance should be placed out of direct sunlight.
- Allow hot/warm foods to cool before placing in the refrigerator. Overloading the appliance forces the compressor to run longer. Foods that freeze too slowly may lose quality.
- Be sure to wrap food properly and wipe containers before placing them in the appliance to avoid frost building up inside the appliance.
- Storage bins should not be lined with aluminum foil, wax paper or paper toweling as these may interfere with cold air circulation, making the appliance less efficient.
- Organize and label food to reduce door openings and extended searches. Remove as many items as needed at one time and close the door as soon as possible.

TROUBLESHOOTING

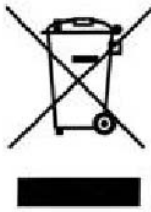
Please calling for service, please check the following issues:

Problem	Check point
The unit doesn't work	Make sure unit is plugged in. Check the power voltage as it might be too low
The unit works inefficiently	Temperature was set too high - adjust it to a lower temperature Too much food in the unit Hot food in the unit stored recently Doors are opened too frequently and for too long There is a heat source nearby The unit is exposed directly to sunlight.
Noise	The floor is not flat or the unit is not placed steadily Contents are not placed in the right position
Food frozen	Food is near the outlet of a cold draught

If the problems are not fixed after the above has been checked please contact a service outlet.

The following phenomenon is normal:

- Sound like water running is caused by the refrigerant flowing inside the system pipe.
- When the environment is too humid, the edges around the door may be a little moist – wipe it with a dry cloth.

Correct Disposal of this product	
	<p>Correct Disposal of this product</p> <p>This marking indicates that this product should not be disposed with other household wastes throughout the EU. To prevent possible harm to the environment or human health from uncontrolled waste disposal, recycle it responsibly to promote the sustainable reuse of material resources. To return your used device, please use the return and collection systems or contact the retailer where the product was purchased. They can take this product for environmental safe recycling.</p>



on inverter compressor

Parmco Appliances

two year warranty

The Warranty:

- Subject to the terms and conditions contained within this warranty, if the product is not of Acceptable Quality (as defined in the Consumer Guarantees Act) within 2 years of the date of original purchase, then Parmco Sales undertakes to repair or, at its sole discretion, replace the product.
- The warranty does not cover the costs of transport, mileage or travelling time if the product is located beyond 30km of a recognised Service Agent.
- This warranty is offered as an extra benefit, and does not affect other legal rights, which can not be modified or excluded by agreement.
- This warranty only applies to goods supplied and installed in the North and South Islands of New Zealand.
- The provisions of this warranty are in addition to the rights and remedies available to consumers under the Consumer Guarantees Act 1993.

The Warranty is not valid:

- If the product is not installed and operated in accordance with the operating instructions.
- If the product is not installed to comply with the electrical, gas, plumbing and other Regulations and Codes of Practice in New Zealand.
- If the product is operated on voltages or frequencies outside the normal range for domestic appliances in New Zealand.
- If the product is not used in normal domestic use, or if it is used in a business as defined in the Consumer Guarantees Act.
- If any serial number has been removed or defaced.
- If proof of date of purchase is not supplied, except at the sole discretion of Parmco Sales. Proof of purchase can be for the product itself, or if installed with a kitchen or house then proof of purchase can be from a Parmco reseller of products supplied by Parmco.

Liability under this warranty will not be accepted for:

- Wear and tear from normal domestic use.
- Damage in transport.
- Damage caused to the product by neglect, abuse, negligence, wilful act or misuse.
- Any defect caused by accident, misuse, neglect, tampering with or unauthorised modifications of the appliance or any attempt at internal adjustment or repair by any person other than an Authorised Service Agent.
- Service calls that relate principally to the following:
 - Instruction on how to use the product.
 - Repair or replacement of house fuses, electrical wiring, gas fitting or plumbing.
- Wear and tear caused by normal use of the product.
- Normal or scheduled maintenance including blocked filters or ducting.
- Consumable items such as light bulbs.
- Any damage to ceramic glass hobs caused by spills when cooking.
- Any breakage or damage of glass items.
- Any damage caused by non recommended product used for cleaning, maintaining, lubricating or similar.
- Any aspect relating to the installation of the product, or damage caused during installation.
- Any third party (including reseller) or consequential loss or damage (direct or indirect) however arising.

Product _____ Date of purchase _____

Dealer / Retailers Name _____

Please retain this Warranty card together with receipt or other proof of purchase date when seeking service during the warranty period

For your convenience we recommend you attach proof of purchase here