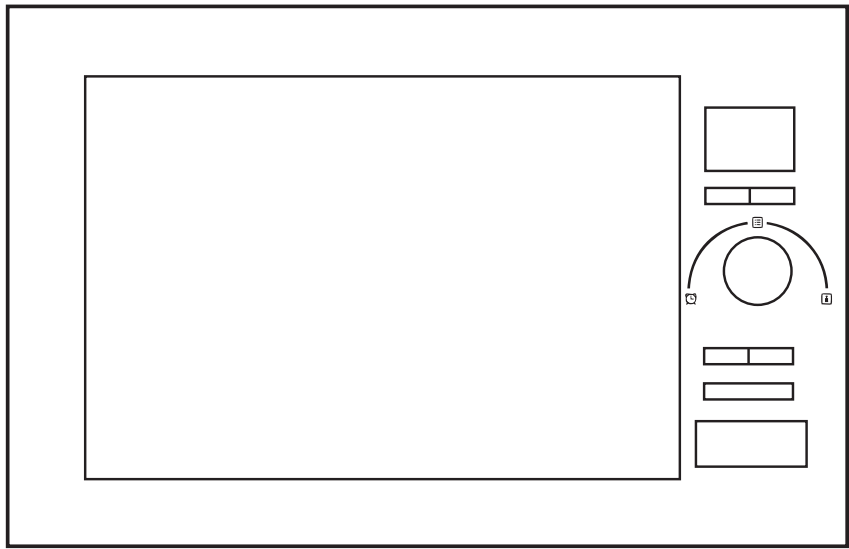


# Installation and Operating Instructions

**Model:**  
**MWM-1**



For your convenience, we recommend to attach the serial number label HERE.

As part of Parmco Appliances commitment to improving and updating product ranges, we reserve the right to alter, change and update technical specifications and appearance attributes of all Parmco Appliances products. E&OE.



Dear Valued Customer,

Thank you and congratulations on purchasing your new Parmco appliance.

All Parmco products are made to the highest quality and design standards. We are sure you will enjoy your new appliance.

As a note, please read through these instructions carefully, as these will assist you in gaining a complete understanding of the functions and features offered by your appliance.

Please take special note of all detailed technical information and installation instructions. It is essential that you only allow a qualified technician to install this appliance to ensure the safety and reliability of this appliance.

Furthermore, not using appropriate personnel to install this appliance may affect any future warranty claims lodged, so please check with Parmco Appliances before any installation is carried out.

We hope you enjoy your new appliance. If you would like to find out more about this product or any other products in Parmco's extensive range, visit us on the web at [www.parmco.co.nz](http://www.parmco.co.nz).

Regards,  
**The Parmco Team**



## INDEX

Important safety information	4
Precautions to avoid exposure to excessive microwave energy	5
Installation instructions	6
Ground installation	9
Cleaning	9
Utensils	10
Setting up your oven	11
Installation and connection	12
Operating instructions	13
Functions	17
Troubleshooting guide	18

## IMPORTANT SAFETY INFORMATION

Thank you for choosing a Parmco Appliance. For best performance and to extend the life of your appliance we recommend that you read the instructions in this owners manual thoroughly before using it. It will provide you with all the information you need to ensure its safe installation, proper use and maintenance. Retain this owners manual for future reference.

Parmco is not liable for any damages or injuries caused as a result of not following the installation instructions in this manual.

- This appliance is designed for non-commercial, domestic household use only and must not be altered in any way.
- This appliance must be installed by a qualified and registered professional, and be connected to the correct power supply before use.
- This appliance must only be used by adults. Young children should be supervised to ensure they do not play with the appliance to prevent any possible injuries.
- This appliance is not intended for use by persons (including children) with reduced physical, sensory, or mental capabilities, or lack of experience and knowledge, unless they are given supervision or instruction concerning the use of this appliance by a person responsible for their safety.
- Before cleaning, switch off the microwave-oven and the power supply.
- Do not heat liquids or other foods in sealed containers as they are likely to explode.
- Do not use unsuitable kitchen utensils in the microwave ovens.
- The oven should be cleaned regularly and any food deposits should be removed. If this appliance is not maintained in a good state of cleanliness, its surface can be degraded and possibly lead to a dangerous situation.
- Do not attempt to operate this oven with the door open as this can result in harmful exposure to microwave energy. It is important not to break or tamper with the safety interlocks.
- Do not place any object between the oven front face and the door or allow soil or cleaner residue to accumulate on sealing surfaces.

### Specifications:

Model:	MWM-1
Rated Voltage:	230-240V~50Hz
Rated Input Power(Microwave):	1450W
Rated Output Power(Microwave):	900W
Rated Input Power(Grill):	1000W
Oven Capacity:	25L
Turntable Diameter:	315mm
Net weight:	19.7 kg

## **PRECAUTIONS TO AVOID POSSIBLE EXPOSURE TO EXCESSIVE MICROWAVE ENERGY**

- Do not leave the microwave -grill unsupervised while heating food in plastic or paper containers, to prevent the possibility of fire ignition.
- If you observe smoke, switch off and unplug the appliance. Keep the door closed in order to prevent any flames.
- Do not use the grill cavity for storage purposes. Do not store items, such as bread, cookies, etc. inside the grill.
- Remove the wire twist-ties and metal handles from paper or plastic containers/bags before placing them in the grill.
- Eggs in the shell and whole hard-boiled eggs should not be heated in the microwave grill as they may explode, even after the heating has ended.
- Use this appliance only for its intended uses as described in manual. Do not use corrosive chemicals or vapours while cleaning.
- If the supply cord is damaged, it must be replaced by the manufacturer, its service agent or similarly qualified persons in order to avoid a hazard.
- Do not store or use this appliance outdoors. Do not use this oven near water, in a wet basement or near a swimming pool.
- The temperature of the accessible surfaces may be high while the appliance is on. The surfaces are liable to get hot during use. Keep cord away from heated surface and do not cover any vents.
- Failure to maintain the grill in a clean condition could lead to deterioration of the surface that could adversely affect the life of the appliance and possibly result in a hazardous situation.
- Microwave heating of beverages can result in delayed eruptive boiling, therefore care must be taken when handling the container.
- The appliances are not intended to be operated by means of an external timer or separate remote-control system.
- Ensure that the appliance is switched off before replacing the lamp to avoid the possibility of electric shock.
- Accessible parts may become hot during use. Young children should be kept away.
- Do not use a steam cleaner, harsh abrasive cleaners or sharp metal scrapers to clean the oven door glass. They can scratch the surface, which may result in shattering of the glass.
- During use the appliance becomes hot. Care should be taken to avoid touching heating elements inside the oven.

## INSTALLATION INSTRUCTIONS

Note: It is recommended to read the manual carefully before proceeding with the installation.

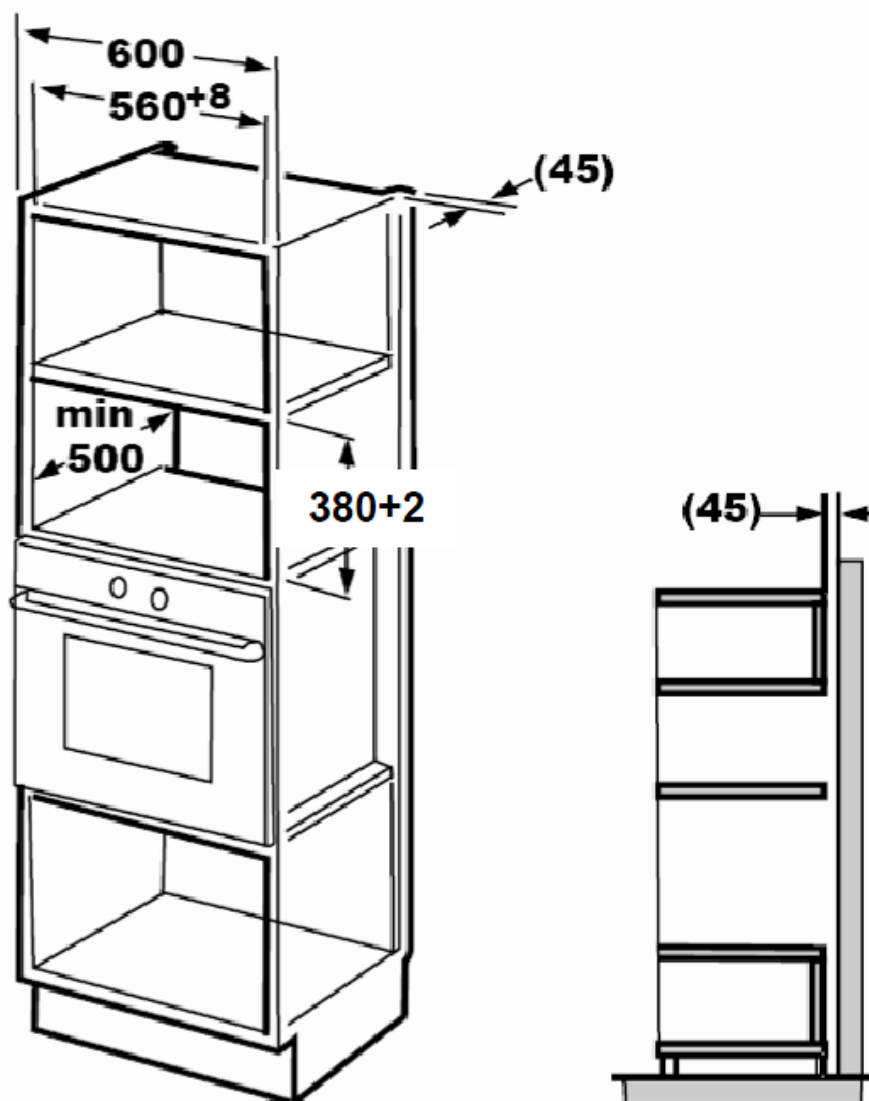
- **Electrical connection**

This appliance is fitted with a plug and must be connected only to a properly installed earthed socket. Both the socket and the connecting cable have to be installed and replaced by a qualified electrician and in accordance with local regulations. If the plug is no longer accessible following installation, an all-pole isolating switch must be present on the installation side with a contact gap if at least 3mm.

The fitted cabinet must not have a back wall behind the appliance. Minimum installation height: 85cm.

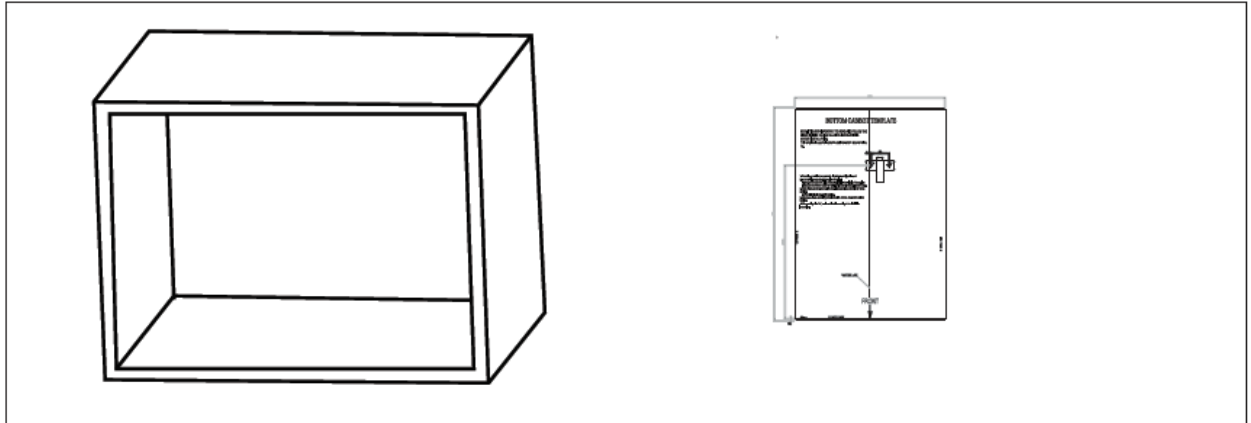
Do not cover the ventilation slots or the suction holes. Do not bend the power cable.

### A. Built-in furniture

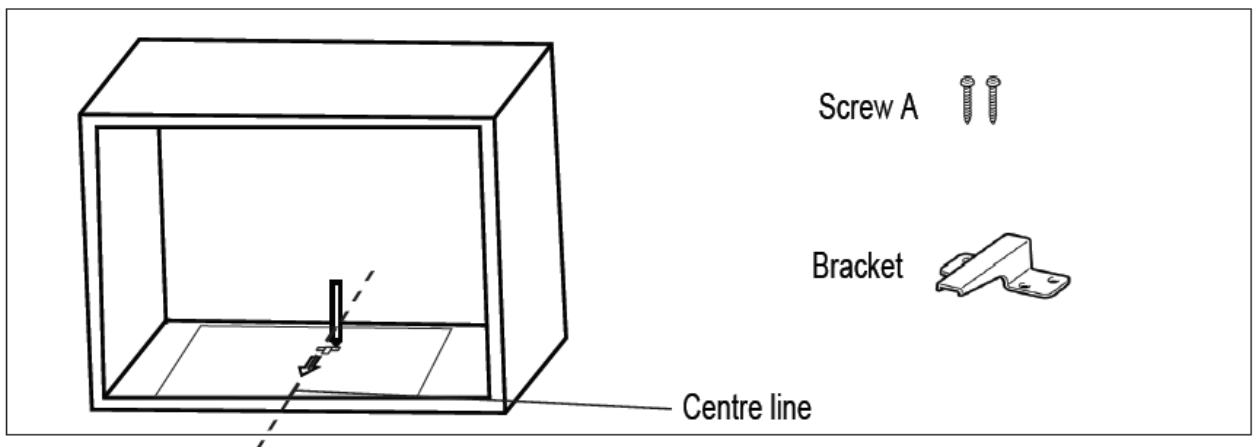


## B. Cabinet preparation

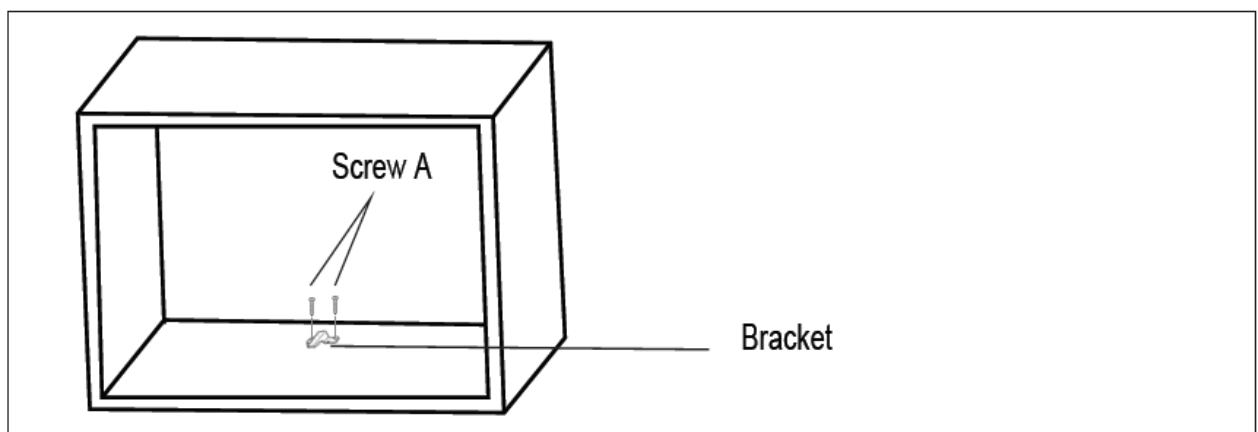
1. Refer to the Bottom Cabinet Template instructions (found inside the oven) then place the template on the bottom panel of the cabinet.



2. Make the marks on the bottom panel of the cabinet, according to mark "a" from the Bottom cabinet template.

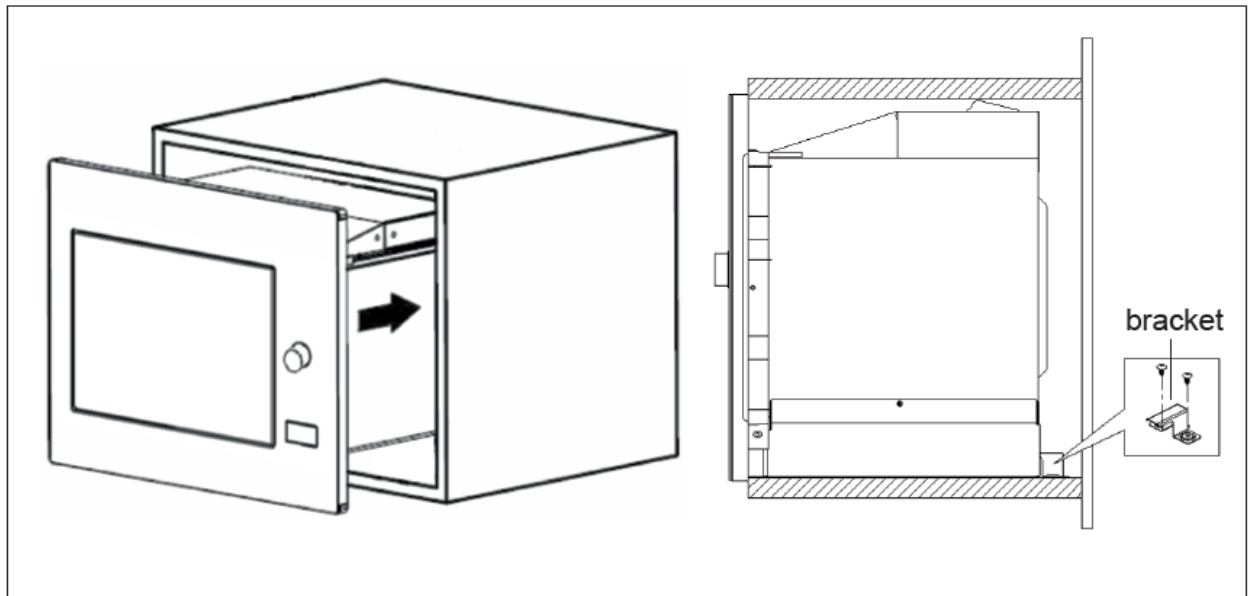


3. Remove the bottom cabinet template and fix the bracket using A screws.

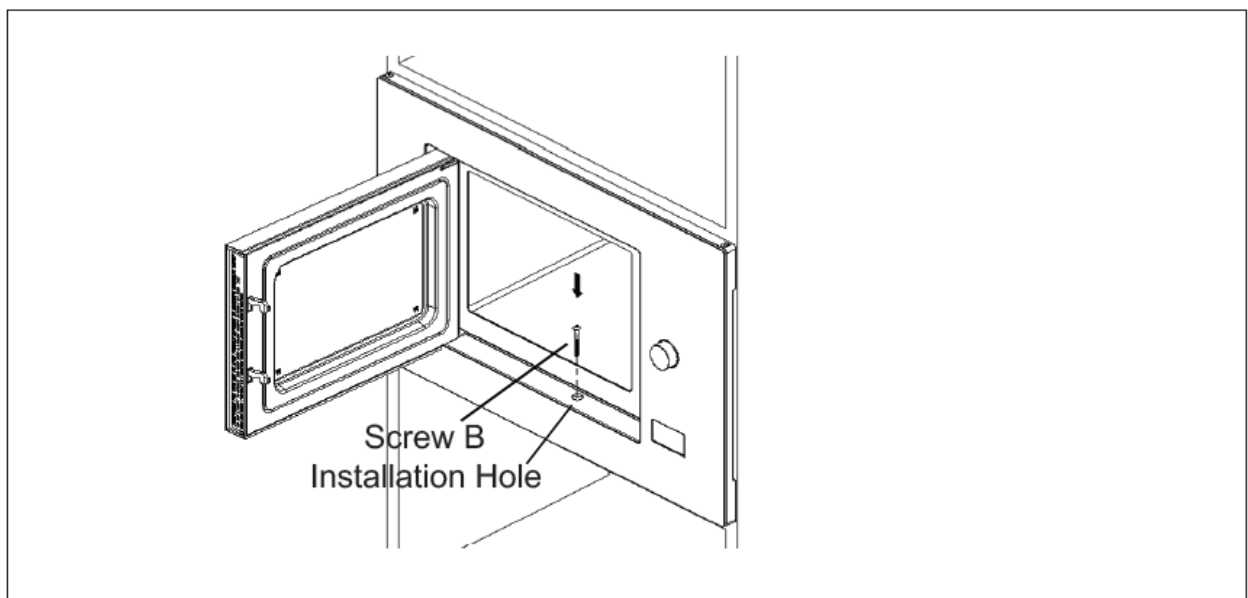


## C. Appliance installation

4. Place the microwave-oven in the cabinet, and make sure the back of the appliance is locked with brackets. Do not trap or end the power cord.



5. Open the door and fix the microwave-oven in the cabinet using B screw, where the installation hole is.

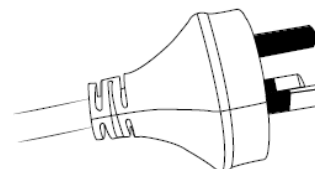




## GROUND INSTALLATION

- To avoid electric shock hazard do not touch the internal components or attempt to disassemble it. This may can cause serious personal injury or death.
- Improper use of the grounding can result in electric shock. Do not plug into an outlet until the appliance is properly installed and grounded.

This appliance must be grounded. In the event of an electrical short circuit, grounding reduces the risk of electric shock by providing an escape wire for the electric current. This appliance is equipped with a cord having a grounding wire with a grounding plug. The plug must be plugged into an outlet that is properly installed and grounded. Consult a qualified electrician if the grounding instructions are not completely understood or if doubt exists as to whether the appliance is properly grounded. If it is necessary to use an extension cord , use only a 3-wire extension cord.



1. A short power-supply cord is provided to reduce the risks resulting from becoming entangled in or tripping over a longer cord.

2. If a long cord set or extension cord is used:

a)The marked electrical rating of the cord set or extension cord should be at least as great as the electrical rating of the appliance.

b)The extension cord must be a grounding type 3-wire cord.

## CLEANING

Before cleaning, make sure the appliance is unplugged from the power supply.

1. Clean the inside of the oven after using with a slightly damp cloth.

2. Clean the accessories in the usual way in soapy water.

3. The door frame seal and neighbouring parts must be cleaned carefully with a damp cloth when they are dirty.

## UTENSILS

There may be certain non-metallic utensils that are not safe to use for microwaving. If in doubt, you can test the utensil in question following the procedure below.

### Utensil Test:

Fill a microwave-safe container with 1 cup of cold water (250ml) along with the utensil in question. Cook on maximum power for 1 minute. Carefully feel the utensil. If the empty utensil is warm, do not use it for microwave cooking. Do not exceed 1 minute cooking time.

- **Materials you can use in microwave oven**

Utensils	Remarks
Aluminium foil	For shielding only. Small pieces can be used to cover thin parts of meat or poultry to prevent overcooking. Arcing can occur if foil is too close to oven walls. The foil should be at least 1 inch (2.5cm) away from oven walls.
Browning dish	Follow manufacturer's instructions. The bottom of browning dish must be at least 3/16 inch (5mm) above the turntable. Incorrect usage may cause the turntable to break.
Dinnerware	Microwave-safe only. Follow manufacturer's instructions. Do not use cracked or chipped dishes.
Glass jars	Always remove the lid. Use only to heat food until just warm. Most glass jars are not heat resistant and may break.
Glassware	Heat-resistant oven glassware only. Make sure there is no metallic trim. Do not use cracked or chipped dishes.
Oven cooking bags	Follow manufacturer's instructions. Do not close it with metal tie. Make slits to allow steam to escape.
Paper plates	Use for short-term cooking/warming only. Do not leave oven unattended while cooking.
Paper towels	Use to cover food for reheating and absorbing fat. Use with supervision for a short-term cooking only.
Parchment paper	Use as a cover to prevent splattering or a wrap for steaming.
Plastic	Microwave-safe only. Follow the manufacturer's instructions. Should be labeled "Microwave Safe". Some plastic containers soften, as the food inside gets hot.
Plastic wrap	Microwave-safe only. Use to cover food during cooking to retain moisture. Do not allow plastic wrap to touch food.
Thermometers	Microwave-safe only (meat and candy thermometers).
Wax paper	Use as a cover to prevent splattering and retain moisture.

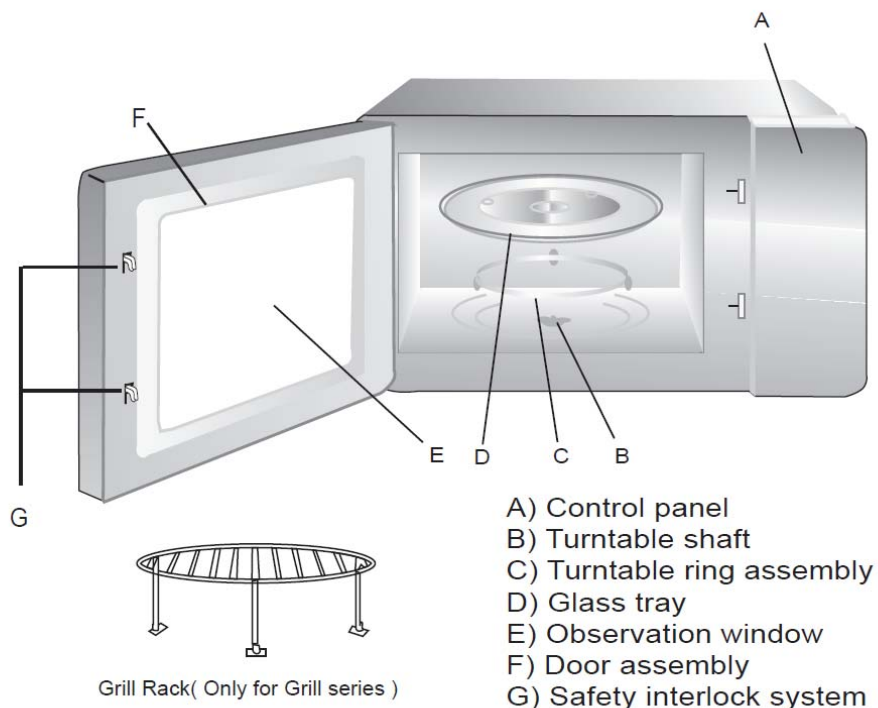
- **Materials to be avoided in microwave oven**

Utensils	Remarks
Aluminium tray	May cause arcing. Transfer food into microwave-safe dish.
Food carton with metal handle	May cause arcing. Transfer food into microwave-safe dish.
Metal or metal trimmed utensils	Metal shields the food from microwave energy. Metal trim may cause arcing.
Metal twist ties	May cause arcing and could cause a fire in the oven.
Paper bags	May cause a fire in the oven.
Plastic foam	Plastic foam may melt or contaminate the liquid inside when exposed to high temperature.
Wood	Wood will dry out when used in the microwave oven and may split or crack.

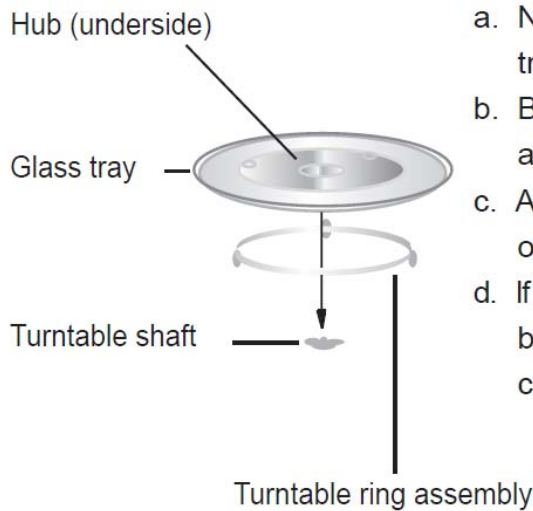
## SETTING UP YOUR OVEN

- **Names of Oven Parts and Accessories**

Remove the oven and all materials from the carton and oven cavity.



- **Turntable Installation**



- a. Never place the glass tray upside down. The glass tray should never be restricted.
- b. Both glass tray and turntable ring assembly must always be used during cooking.
- c. All food and containers of food are always placed on the glass tray for cooking.
- d. If glass tray or turntable ring assembly cracks or breaks, contact your nearest authorized service center.

## **INSTALLATION AND CONNECTION**

- This appliance is only intended for domestic use.
- This oven is intended for built-in use only. It is not intended for counter-top use or for use inside a cupboard.
- The appliance can be installed in a 60cm wide wall-mounted cupboard (at least 55cm deep and 85cm off the floor).
- The appliance is fitted with a plug and must only be connected to a properly installed earthed socket.
- The mains voltage must correspond to the voltage specified on the rating plate.
- The socket must be installed and connecting cable must only be replaced by a qualified electrician. If the plug is no longer accessible following installation, an all-pole disconnecting device must be present on the installation side with a contact gap of at least 3mm.
- Adapters, multi-way strips and extension leads must not be used. Overloading can result in a risk of fire.



The accessible surface  
may be hot during  
operation.



## OPERATING INSTRUCTIONS

### • Clock Setting



When the microwave oven is ON, the LED will display "0:00" and the buzzer will ring once.

- 1) Press "Clock/Kitchen Timer " button once to select clock function, the hour figures will flash.
- 2) Turn  to adjust the hour figures; the time should be within 0-23.
- 3) Press " Clock/ Kitchen Timer " button and the minute figures will flash.
- 4) Turn  to adjust the minute figures, the time should be within 0-59.
- 5) Press " Clock/ Kitchen Timer "button to finish the clock setting. ":" sign will flash, and the time will light.



**Note:** 1) If the clock is not set, the oven will not function when powered.

2) During the process of clock setting, if you press the " Stop/Clear " button, the oven will go back to the previous status automatically.

### • Microwave Cooking

- 1) Press " Microwave./Grill/Combi " button and the LED will display "P100".
- 2) Press the "Microwave/Grill/Combi " button again for the power settings or turn  and choose the desired power setting. "P100", "P80" "P50", "P30" or "P10" will display for each added press.
- 3) Then press "Start/+30Sec /Confirm " button to confirm, and turn  to set cooking time from 0:05 to 95:00.
- 4) Press " Start/+30Sec/Confirm " button again to start cooking.

**Example:** If you want to use 80% microwave power to cook for 20 minutes, you can operate the oven using the following steps.



- 1) Press " Microwave./Grill/Combi. "button once, the screen display "P100".
- 2) Press " Microwave./Grill/Combi. "button once again or turn  to choose 80% microwave power.
- 3) Press " Start/+30Sec./Confirm " button to confirm, and the screen displays "P 80".
- 4) Turn  to adjust the cooking time until the oven displays "20:00".
- 5) Press " Start/+30Sec./Confirm " button to start cooking .

**Note:** the step quantities for the adjustment time of the coding switch are as follow:



0---1 min : 5 seconds ; 1---5 min : 10 seconds ; 5---10 min : 30 seconds ; 10---30 min : 1 minute ; 30---95 min: 5 minutes

"Micro/Grill/Combi." Order	Pad instructions Display	Microwave Power	Grill Power
1	P100	100%	
2	P80	80%	
3	P50	50%	
4	P30	30%	
5	P10	10%	
6	G	0%	100%
7	C-1	55%	45%
8	C-2	36%	64%

- **Grill or Combi Cooking**

- 1) Press the "Microwave./Grill/Combi " button and the LED will display "P100".
- 2) Next, you can either press " Microwave./Grill/Combi "button once again for times or turn the  to choose the power you want. "G", "C-1" or "C-2" will display for each added press.
- 3) Select the power, then press " Start/+30Sec./Confirm " button to confirm, and turn  to set cooking time from 0:05 to 95:00.
- 4) Press " Start/+30Sec./Confirm " button again to start cooking.

**Example:** If you want to use 55% microwave power and 45% grill power(C-1) to cook for 10 minutes, you can operate the oven as the following steps.


- 1) Press "Microwave./Grill/Combi. " button once, and the screen will display "P100".
- 2) Press "Microwave./Grill/Combi. " button once again or turn  to choose combi 1 mode.
- 3) Press " Start/+30Sec./Confirm " button to confirm, and the screen displays "C-1".
- 4) Turn  to adjust the cooking time until the oven displays "10:00".
- 5) Press " Start/+30Sec./Confirm " button to start cooking .

**Note:** If half the grill time passes, the oven sounds twice, and this is normal. In order to have a better effect of grilling food, you should turn the food over, close the door, and then press "START/ +30SEC./ Confirm" button to continue cooking. If no operation, the oven will continue working.

- **Quick Start**

- 1) In stand- by mode, Press " Start/+30Sec./Confirm" button to start cooking with 100% power; each added press will increase 30 seconds cooking time up to 95 minutes.

2) In microwave cooking or time defrost state, each press of " Start/+30Sec./Confirm " can increase 30 seconds of cooking time.

3) In stand-by mode, turn "  " left to set cooking time with 100% microwave power, then press " Start/+30Sec./Confirm " button to start cooking.

### • Defrost By Weight


1) Press " Weight/Time Defrost " button once, and the oven will display "dEF1".

2) Turn "  " to select the weight of food from 100gms to 2kg.

3) Press " Start/+30Sec./Confirm " button to start defrosting.

### • Defrost By Time


1) Press " Weight/Time Defrost " button twice, and the oven will display "dEF2".

2) Turn "  " to select the defrost time. The maximum time is 95 minutes.

3) Press " Start/+30Sec./Confirm " button to start defrosting. The defrost power is P30 , and it will not be changed.

### • Kitchen Timer

(1) Press the "Clock/ Kitchen Timer " button twice, and the LED will display 00:00.


(2) Turn "  " to enter the correct timer.(The maximum cooking time is 95 minutes.)

(3) Press " Start/+30Sec/Confirm " button to confirm the setting.

(4) When the selected time is reached, the clock indicator will disappear and the buzzer will ring 5 times. If the clock is set(24-hour system), the LED will display the current time.

**Note:** The Kitchen timer is a timer only.

### • Auto Menu


1) Turn "  " right to choose the menu ; "A-1" to "A-8" will display, which means auto reheat, for vegetable, fish, meat, pasta, potato, pizza and soup.


2) Press " Start/+30Sec./Confirm " button to confirm.

3) Turn "  " to choose the default weight as the menu chart.

4) Press " Start/+30Sec./Confirm " button to start cooking.

**Example:** If you want to use "Auto Menu" to cook 350g of fish.

1) Turn "  " clockwise until "A-3" displays, then press " Start/+30Sec./Confirm " button to confirm.

2) Turn " " to select the weight of fish until "350" is displayed, then press the " Start/+30Sec./Confirm " button to start cooking.



- **Automatic menu procedure**

Menu	Weight	Display
A-1 Auto Reheat	200 g	200
	400 g	400
	600 g	600
A-2 Vegetable	200 g	200
	300 g	300
	400 g	400
A-3 Fish	250 g	250
	350 g	350
	450 g	450
A-4 Meat	250 g	250
	350 g	350
	450 g	450
A-5 Pasta	50 g(with water 450ml)	50
	100 g(with water 800ml)	100
A-6 Potato	200 g	200
	400 g	400
	600 g	600
A-7 Pizza	200 g	200
	400 g	400
A-8 Soup	200 ml	200
	400 ml	400


- **Multi-section cooking**

At most 2 sections can be set for cooking. In multi-section cooking, if one section is defrosting, then defrosting shall be placed in the first section.

**Example:** If you want to defrost food for 5 minutes and then cook with 80% microwave power for 7 minutes, operate it as the following:

- 1) Press " Weight/Time Defrost " button twice, and the oven will display "dEF2".
- 2) Turn " " to select the defrost time till "5:00" display.
- 3) Press " Microwave/Grill/Combi " button once, the screen display "P100".
- 4) Press "Microwave/Grill/Combi" button once again or turn " " to choose 80% microwave power.
- 5) Press " Start/+30Sec/Confirm " to confirm, and the screen displays "P 80".



6) Turn " " to adjust the cooking time till the oven displays "7:00".

7) Press "Start/+30Sec./Confirm" to start cooking, and buzzer will sound once for the first section, defrosting time counts down; buzzer will sound once again entering the second cooking. when cooking finish, buzzer sounds five times.


## FUNCTIONS

- **Inquiring Function**

(1) In states of microwave, grill and combination cooking, press " Microwave./Grill/Combi. ", the current power will be displayed for 3 seconds. After 3 seconds, the oven will turn back to the former state;

(2) In cooking state, press " Clock/ Kitchen Timer " to inquire the time and the time will display for 3 seconds.

- **Lock-out Function for Children**

**(1) Lock:** In waiting state, press " Stop/Clear " for 3 seconds, there will be a long beep denoting entering the children-lock state and the current time will display if the time has been set, otherwise, the LED will display "".

**(2) Unlock:** While in locked state, press " Stop/Clear " for 3 seconds, there will be a long "beep" denoting that the lock is released.

## TROUBLESHOOTING GUIDE

<b>Normal</b>	
Interference with the TV reception	Radio and TV reception may interfere when the microwave is operating. It is similar to the interference of small electric appliances, like mixers, vacuum cleaners or electric fans. This is normal.
Dim oven light	If using a low power microwave setting, the oven light may become dim. This is normal.
Steam accumulating on door, hot air out of the vents	While cooking, steam can be released from food. Most of it will be eliminated through the vents, but some may accumulate on cool places, such as the oven door. This is normal.
Oven started accidentally with no food in it.	It is very dangerous to start the unit without any food inside. Make sure the food is placed in the oven before you start cooking.

<b>Issue</b>	<b>Possible cause</b>	<b>Remedy</b>
The appliance doesn't start	The power cord is not plugged in tightly.	Unplug the cord. Wait for 10seconds, then re-plug it.
	A circuit breaker is activated or the fuse needs to be replaced.	A qualified electrician can replace the fuse or reset the circuit breaker.
	Outlet issues.	Test outlet with other electrical appliances.
Oven not heating	Door is not closed well.	Open the door and re-close it.
The turntable glass makes noises when the microwave-open is turned on.	Dirty roller rest and oven bottom.	Refer to the "Maintenance" section to clean the dirty parts.



p: 09 573 5678  
 f: 09 573 5699  
 e: sales@parmco.co.nz  
 w: www.parmco.co.nz



# *Parmco Appliances*

## *2 year warranty*



### The Warranty:

- Subject to the terms and conditions contained within this warranty, if the product is not of Acceptable Quality (as defined in the Consumer Guarantees Act) within 2 years of the date of original purchase, then Parmco Sales undertakes to repair or, at its sole discretion, replace the product.
- The warranty does not cover the costs of transport, mileage or travelling time if the product is located beyond 30km of a recognised Service Agent.
- This warranty is offered as an extra benefit, and does not affect other legal rights, which can not be modified or excluded by agreement.
- This warranty only applies to goods supplied and installed in the North and South Islands of New Zealand.
- The provisions of this warranty are in addition to the rights and remedies available to consumers under the Consumer Guarantees Act 1993.

### The Warranty is not valid:

- If the product is not installed and operated in accordance with the operating instructions.
- If the product is not installed to comply with the electrical, gas, plumbing and other Regulations and Codes of Practice in New Zealand.
- If the product is operated on voltages or frequencies outside the normal range for domestic appliances in New Zealand.
- If the product is not used in normal domestic use, or if it is used in a business as defined in the Consumer Guarantees Act.
- If any serial number has been removed or defaced.
- If proof of date of purchase is not supplied, except at the sole discretion of Parmco Sales. Proof of purchase can be for the product itself, or if installed with a kitchen or house then proof of purchase can be from a Parmco reseller of products supplied by Parmco.

### Liability under this warranty will not be accepted for:

- Wear and tear from normal domestic use.
- Damage in transport.
- Damage caused to the product by neglect, abuse, negligence, wilful act or misuse.
- Any defect caused by accident, misuse, neglect, tampering with or unauthorised modifications of the appliance or any attempt at internal adjustment or repair by any person other than an Authorised Service Agent.
- Service calls that relate principally to the following:
  - Instruction on how to use the product.
  - Repair or replacement of house fuses, electrical wiring, gas fitting or plumbing.
- Wear and tear caused by normal use of the product.
- Normal or scheduled maintenance including blocked filters or ducting.
- Consumable items such as light bulbs.
- Any damage to ceramic glass hobs caused by spills when cooking.
- Any breakage or damage of glass items.
- Any damage caused by non recommended product used for cleaning, maintaining, lubricating or similar.
- Any aspect relating to the installation of the product, or damage caused during installation.
- Any third party (including reseller) or consequential loss or damage (direct or indirect) however arising.

Product \_\_\_\_\_ Date of purchase \_\_\_\_\_

Dealer / Retailers Name \_\_\_\_\_

Please retain this Warranty card together with receipt or other proof of purchase date when seeking service during the warranty period

Please contact Parmco at 09 573 5678 if your appliance needs servicing under warranty. Please have your model number and proof of purchase ready. Warranty repairs must be authorized by Parmco.