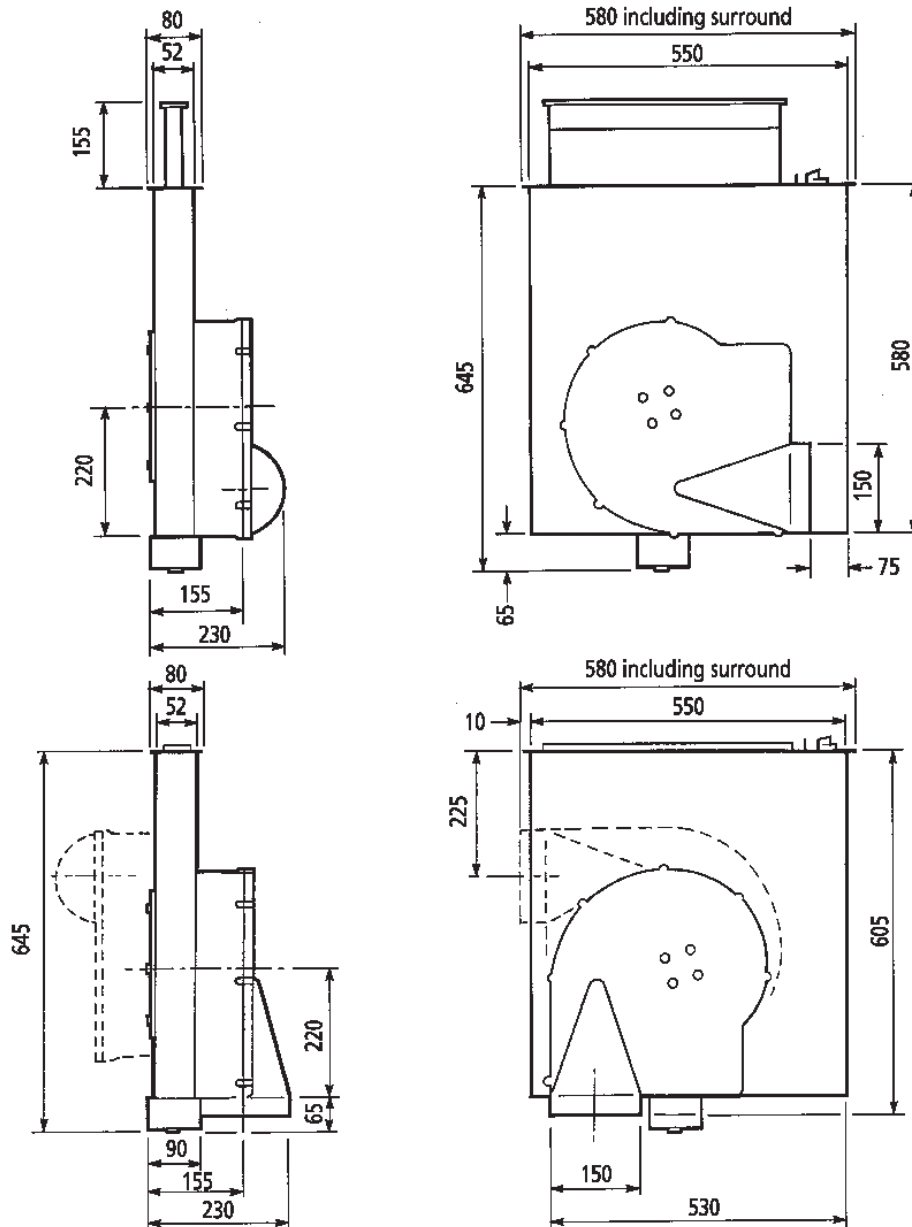


## 600 REAR RISER



### CUTOUT DIMENSION

Installed on its own: ..... 554mm x 84mm

Rear of hob:..... Riser cut out depth + Hob cut out depth  
 ..... allow 550mm x 85mm for the rear riser

For example (installing adjacent to the rear of the hob):

Cooktop ..... 550mm x 500mm

Rear Riser ..... 550mm x 85mm

Total overall ..... 550mm x 585mm

Less overlap allowance.... 20mm

Total cutout required..... 550mm x 565mm