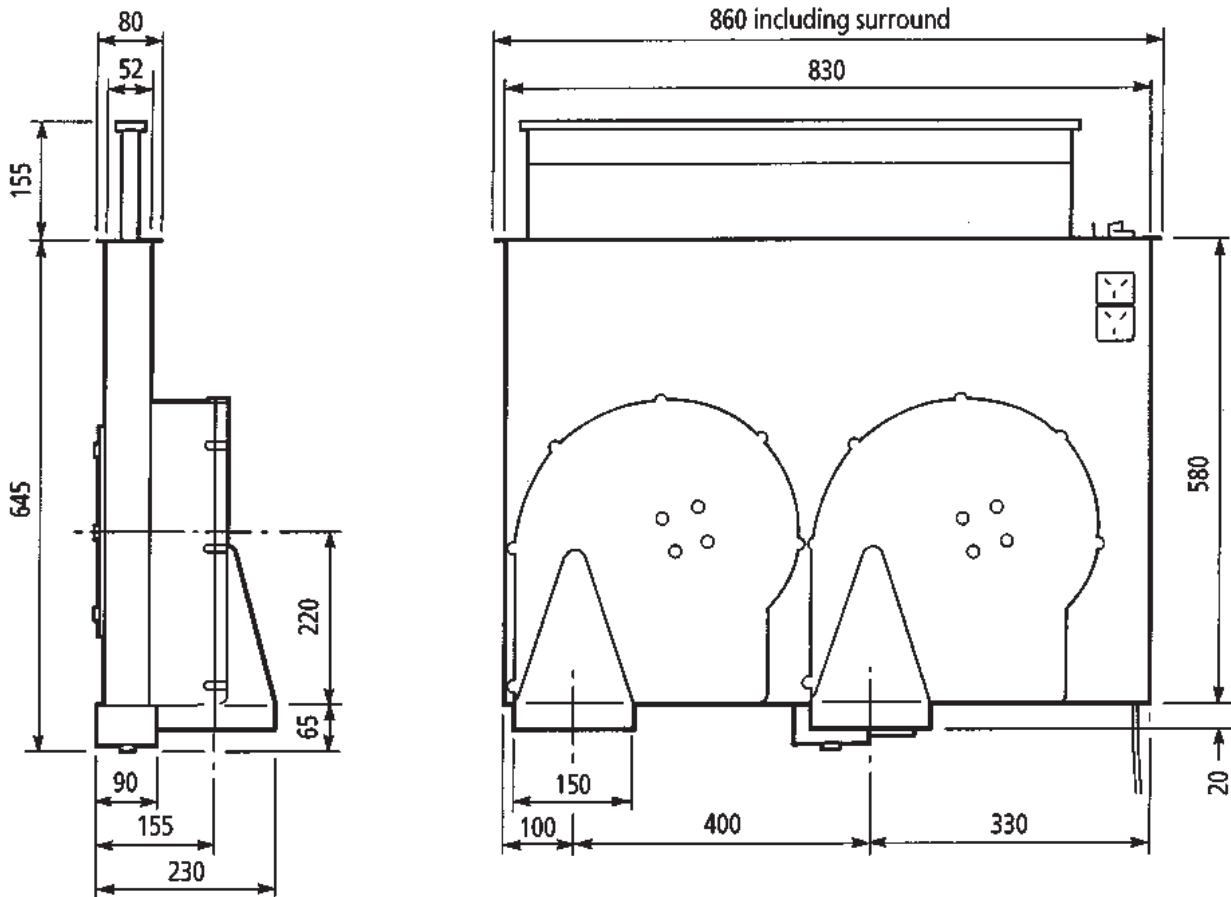


900 REAR RISER



CUTOUT DIMENSION

Installed on its own: 834mm x 84mm

Rear of hob:..... Riser cut out depth + Hob cut out depth
 allow 830mm x 85mm for the rear riser

For example (installing adjacent to the rear of the hob):

Cooktop 830mm x 500mm

Rear Riser 830mm x 85mm

Total overall 830mm x 585mm

Less overlap allowance.... 20mm

Total cutout required..... 830mm x 565mm