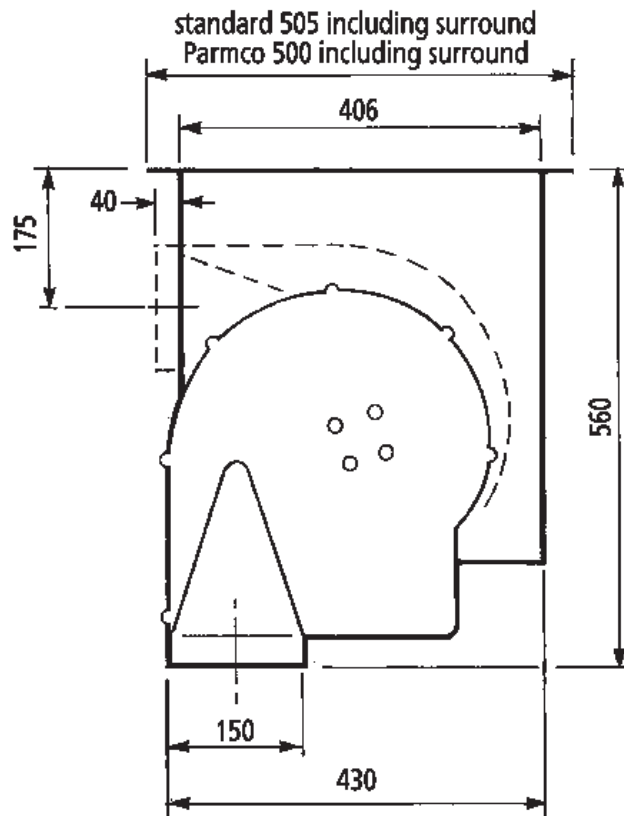
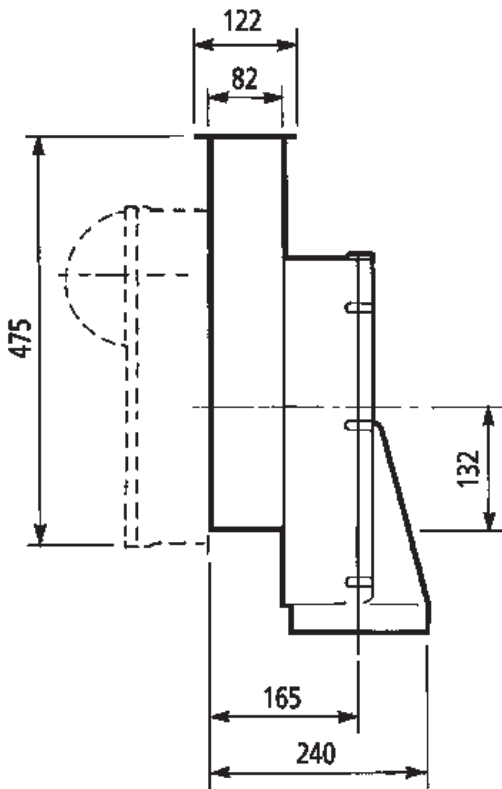
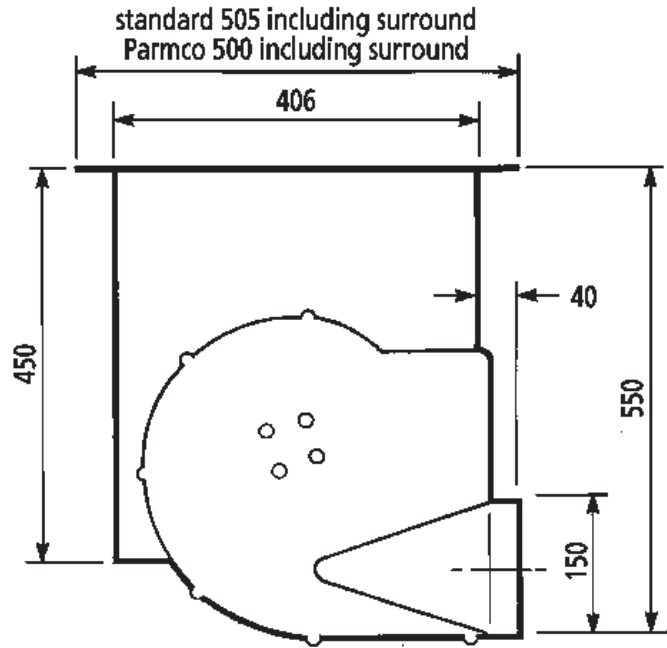
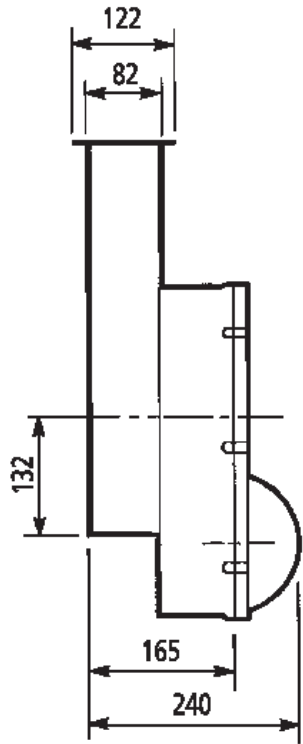


STANDARD IN-BENCH



CUTOUT DIMENSION

Without Controls: 410mm x 85mm

With Controls: 475mm x 114mm